

HINGE  
SERIES

PIVOT-PRO

# PIVOT-PRO

Perfect motion for every single space  
**Door Closing-Soft  
and Smooth**



- The well-made DTC integrated soft-close hinges fit with a plenty of cabinet doors, supporting and facilitating designers ideas. The hinge's effortless opening, evenly speeded soft-closing and long durability contribute to the enjoyment of the furniture users.
- 3D adjustments providing exceptional functions: without loosening one screw, up & down, in & out and side to side adjustments are done.



Quietness



Intelligence



Durability



Eco-Friendliness



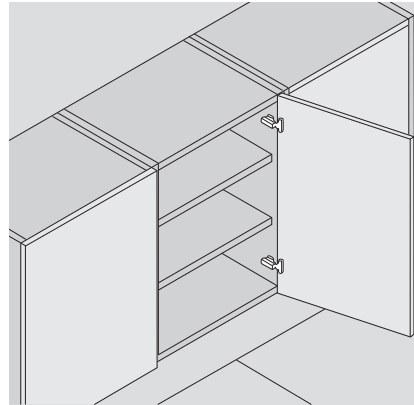
### PRODUCT



### DESCRIPTION

- Opening angle: 120°
- Depth of hinge cup: 13 mm
- Diameter of hinge cup: 35 mm
- Range of door thickness: 16-26 mm
- Possible drilling distances on the door(K): 3-6 mm

### APPLICATION



### ORDER INFORMATION

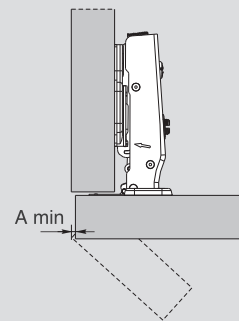


#### $\Phi$ 35mm Options of screws and dowels:

M10 dowel Dowel No: M	Expandable dowel Dowel No: K
M8 dowel Dowel No: N	Expandable dowel Dowel No: K0
Euro screw Dowel No: B	Quick dowel Dowel No: T0

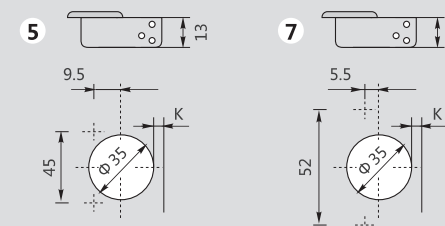
### PLANNING

#### Space needed to open the door

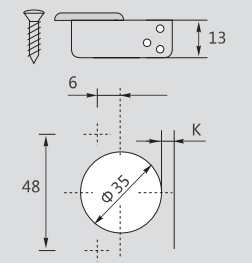


	T=	16	17	18	19	20	21	22	23	24	25	26
K=3	A=	1.1	1.3	1.6	1.9	2.2	2.6	3.0	3.5	4.0	4.7	5.5
K=4	A=	1.0	1.3	1.5	1.8	2.1	2.5	2.9	3.3	3.8	4.4	5.1
K=5	A=	1.0	1.3	1.5	1.8	2.1	2.4	2.8	3.2	3.6	4.2	4.8
K=6	A=	1.0	1.2	1.5	1.7	2.0	2.4	2.7	3.1	3.5	4.0	4.6

#### $\Phi$ 35mm Hinge cup types

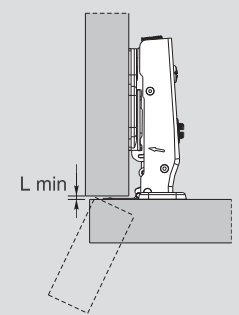


Use these formulas to determine the type of hinge arm, the drilling distance "K" and the height of the mounting plate "H" for each door application.



Nickel plated(A01)

#### Space needed to open the door

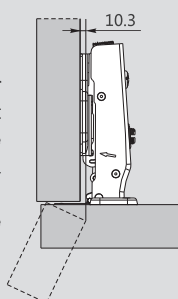


	T=	16	17	18	19	20	21	22	23	24	25	26
K=3	L=	0.0	0.0	0.0	0.0	0.1	0.5	0.9	1.3	1.8	2.2	2.6
K=4	L=	0.0	0.0	0.2	0.6	1.0	1.4	1.8	2.2	2.7	3.1	3.5
K=5	L=	0.2	0.6	1.0	1.5	1.9	2.3	2.7	3.2	3.6	4.0	4.4
K=6	L=	1.1	1.5	1.9	2.4	2.8	3.2	3.6	4.1	4.5	4.9	5.3

- The above values are calculated on the assumption that the doors have square edges.
- They are reduced if the doors have radiused edges.

#### Projection of the door

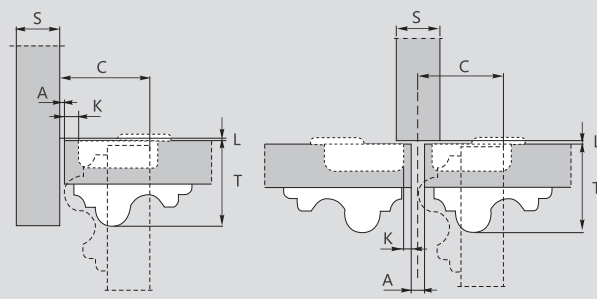
Projection of the door from the cabinet side at the max. opening. The figures are based on a straight arm hinge, H=0mm mounting plate and drilling distance (K)=3mm.



#### "C" value

$$C=15.5+K+ A$$

With this formula you can obtain the max. thickness of the moulded door that can be opened without touching adjacent carcass sides, doors or walls, whilst bearing in mind the above L-K-T values.

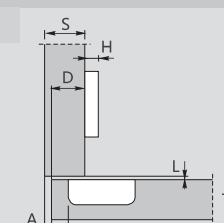


#### C80 series snap-on soft close hinge 120° (two way, cam-adjustable)

##### Full overlay C=0



$$H=12+K-(D)$$

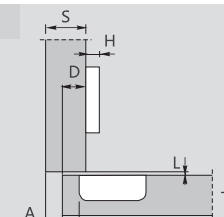


	Item No.	Pcs/ctn
Soft-close	<b>C80A686F</b>	200
Sprung	<b>C80A686</b>	200

##### Small overlay C=3



$$H=9+K-(D)$$

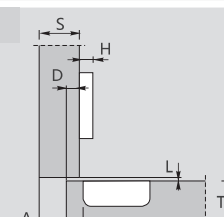


	Item No.	Pcs/ctn
Soft-close	<b>C80D686F</b>	200
Sprung	<b>C80D686</b>	200

##### Half overlay C=9



$$H=3+K-(D)$$



	Item No.	Pcs/ctn
Soft-close	<b>C80B686F</b>	200
Sprung	<b>C80B686</b>	200



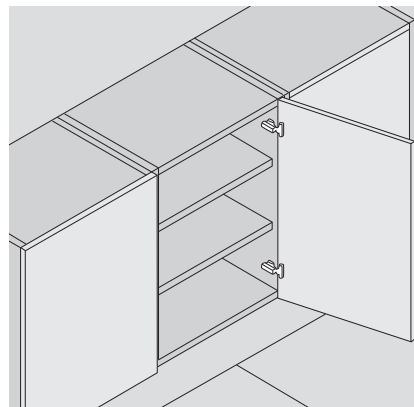
### PRODUCT



### DESCRIPTION

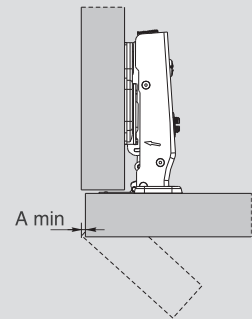
- Opening angle: 110°
- Depth of hinge cup: 11.5mm
- Diameter of hinge cup: 35mm
- Range of door thickness: 16-26mm
- Possible drilling distances on the door(K): 3-6 mm

### APPLICATION



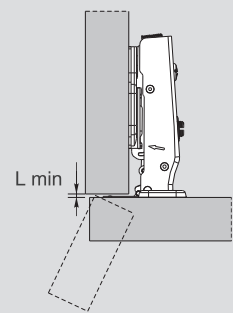
### PLANNING

#### Space needed to open the door



	T=	16	17	18	19	20	21	22	23	24	25	26
K=3	A=	0.7	0.9	1.2	1.5	1.8	2.2	2.6	3.2	3.8	4.5	5.3
K=4	A=	0.7	0.9	1.1	1.4	1.8	2.1	2.5	3.0	3.5	4.4	4.9
K=5	A=	0.6	0.9	1.1	1.4	1.7	2.0	2.4	2.9	3.4	3.9	4.6
K=6	A=	0.6	0.8	1.1	1.3	1.6	2.0	2.4	2.8	3.2	3.8	4.4

#### Space needed to open the door

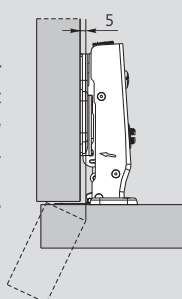


	T=	16	17	18	19	20	21	22	23	24	25	26
K=3	L=	0.0	0.0	0.0	0.0	0.0	0.0	0.0	0.0	0.0	0.0	0.1
K=4	L=	0.0	0.0	0.0	0.0	0.0	0.0	0.2	0.4	0.7	0.9	1.1
K=5	L=	0.0	0.2	0.4	0.6	0.8	1.0	1.2	1.4	1.6	1.8	2.0
K=6	L=	0.9	1.2	1.4	1.6	1.8	2.0	2.2	2.4	2.6	2.8	3.0

- The above values are calculated on the assumption that the doors have square edges.
- They are reduced if the doors have radiused edges.

#### Projection of the door

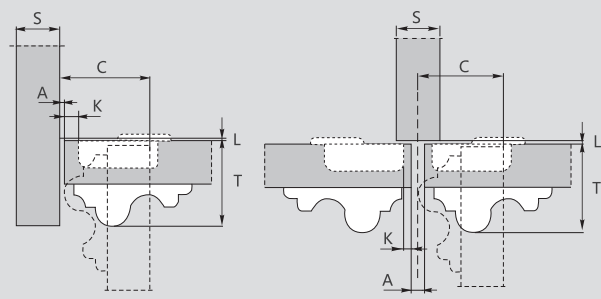
Projection of the door from the cabinet side at the max. opening. The figures are based on a straight arm hinge, H=0mm mounting plate and drilling distance (K) =3mm.



#### "C" value

$$C=20+K+A$$

With this formula you can obtain the max. thickness of the moulded door that can be opened without touching adjacent carcass sides, doors or walls, whilst bearing in mind the above L-K-T values.



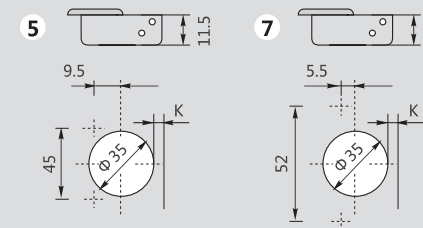
### ORDER INFORMATION



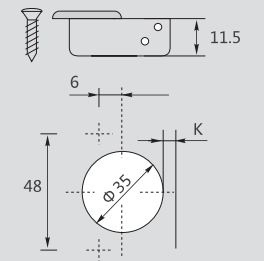
#### $\Phi$ 35mm Options of screws and dowels:

M10 dowel Dowel No: M	Expandable dowel Dowel No: K
M8 dowel Dowel No: N	Expandable dowel Dowel No: K0
Euro screw Dowel No: B	Quick dowel Dowel No: T0

#### $\Phi$ 35mm Hinge cup types



Use these formulas to determine the type of hinge arm, the drilling distance "K" and the height of the mounting plate "H" for each door application.



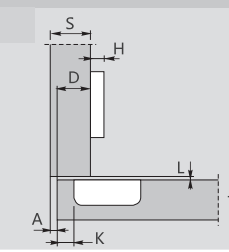
Nickel plated(A01) Specially treated(A11)

### C80 series snap-on soft close hinge 110° (two way, cam-adjustable)

#### Full overlay C=0



#### H=12+K-(D)

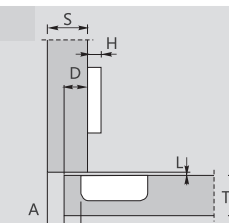


	Item No.	Pcs/ctn
Soft-close	<b>C80A676F</b>	200
Sprung	<b>C80A676</b>	200

#### Half overlay C=9



#### H=3+K-(D)

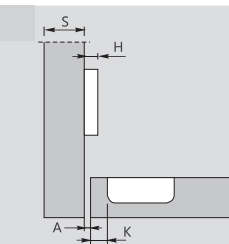


	Item No.	Pcs/ctn
Soft-close	<b>C80B676F</b>	200
Sprung	<b>C80B676</b>	200

#### Inset C=18



#### H=-6+K+(A)



	Item No.	Pcs/ctn
Soft-close	<b>C80C676F</b>	200
Sprung	<b>C80C676</b>	200



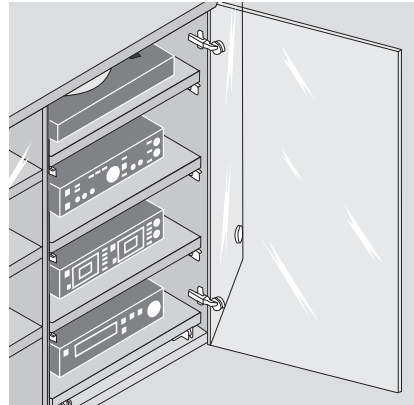
### PRODUCT



### DESCRIPTION

- Opening angle: 110°
- Depth of hinge cup: 11.5mm
- Diameter of hinge cup: 35mm
- Available glass door thickness: 4-6mm
- Possible drilling distances on the glass door(K): 3-6 mm

### APPLICATION



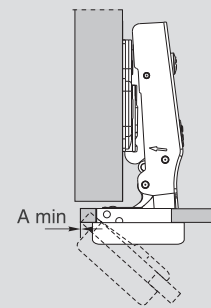
### ORDER INFORMATION



Available finishes for $\Phi$ 35mm covers	
Chrome:	C01
Dark Chrome:	C02
Bright Silver:	C03
Silver:	C04
Satin Gold:	C05
Satin Silver:	C06
Satin Chrome:	C07
Bright Gold:	C08
Silver Grey:	C09

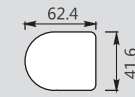
### PLANNING

#### Space needed to open the door



	T=	16	17	18	19	20	21	22	23	24	25	26
K=4	A=	0.7	0.9	1.1	1.4	1.8	2.1	2.5	3.0	3.5	4.4	4.9
K=5	A=	0.6	0.9	1.1	1.4	1.7	2.0	2.4	2.9	3.4	3.9	4.6
K=6	A=	0.6	0.8	1.1	1.3	1.6	2.0	2.4	2.8	3.2	3.8	4.4

#### Options of $\Phi$ 35mm covers:



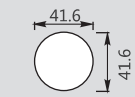
ABS oval cover

Item No.

**A2B**

Pcs/ctn

200



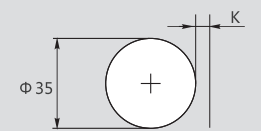
ABS round cover

Item No.

**A2C**

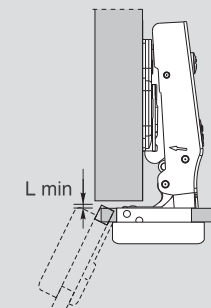
Pcs/ctn

200



Nickel plated(A01)

#### Space needed to open the door



	T=	16	17	18	19	20	21	22	23	24	25	26
K=4	L=	0.0	0.0	0.0	0.0	0.0	0.0	0.2	0.4	0.7	0.9	1.1
K=5	L=	0.0	0.2	0.4	0.6	0.8	1.0	1.2	1.4	1.6	1.8	2.0
K=6	L=	0.9	1.2	1.4	1.6	1.8	2.0	2.2	2.4	2.6	2.8	3.0

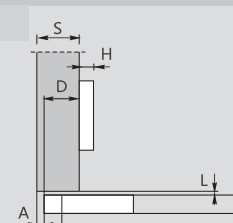
- The above values are calculated on the assumption that the doors have square edges.
- They are reduced if the doors have radiussed edges.

#### C80 series snap-on soft close glass hinge 110° (two way, cam-adjustable)

##### Full overlay C=0



$H=12+K-(D)$

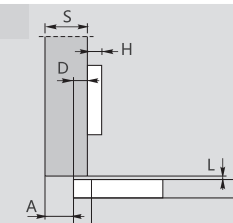


	Item No.	Pcs/ctn
Soft-close	<b>C80A670F</b>	200
Sprung	<b>C80A670</b>	200

##### Half overlay C=9



$H=3+K-(D)$

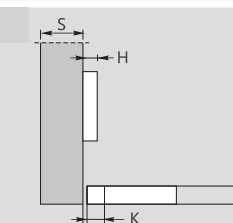


	Item No.	Pcs/ctn
Soft-close	<b>C80B670F</b>	200
Sprung	<b>C80B670</b>	200

##### Inset C=18



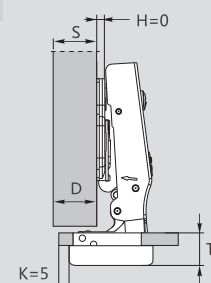
$H=-6+K+(A)$



	Item No.	Pcs/ctn
Soft-close	<b>C80C670F</b>	200
Sprung	<b>C80C670</b>	200

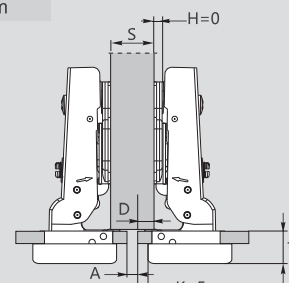
#### C=0 Application with full overlay door

D=19mm



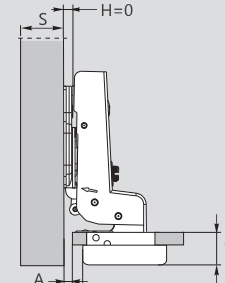
#### C=9 Application with half overlay door

D=10mm



#### C=18 Application with inset door

A=1mm





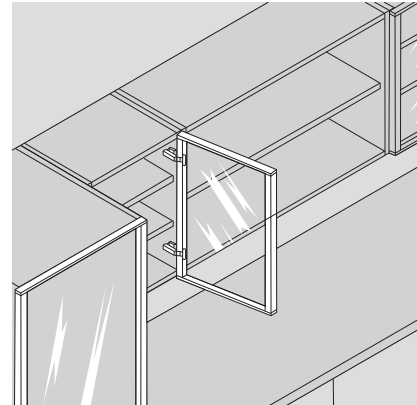
### PRODUCT



### DESCRIPTION

- Opening angle: 110°
- Drilling dimension on aluminium frame hinge head: 28mm
- Range of width of aluminium frame (V) : 19-22mm

### APPLICATION

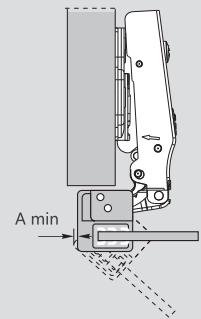


### ORDER INFORMATION



### PLANNING

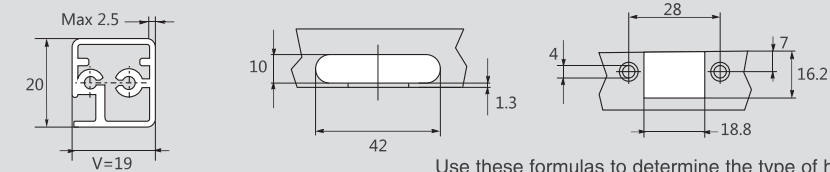
#### Space needed to open the door



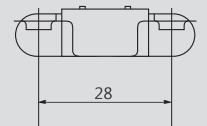
T=	16	17	18	19	20	21	22	23	24	25	26
V=19	A= 0.7	0.9	1.2	1.5	1.8	2.2	2.6	3.2	3.8	4.5	5.3
V=20	A= 0.7	0.9	1.1	1.4	1.8	2.1	2.5	3.0	3.5	4.4	4.9
V=21	A= 0.6	0.9	1.1	1.4	1.7	2.0	2.4	2.9	3.4	3.9	4.6
V=22	A= 0.6	0.8	1.1	1.3	1.6	2.0	2.4	2.8	3.2	3.8	4.4

#### Drilling dimensions on aluminium frame

V:19mm-22mm

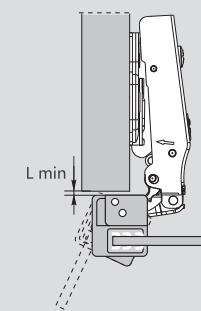


Use these formulas to determine the type of hinge arm, the drilling distance "K" and the height of the mounting plate "H" for each door application.



Nickel plated(A01)

#### Space needed to open the door



T=	16	17	18	19	20	21	22	23	24	25	26
V=19	L= 0.0	0.0	0.0	0.0	0.0	0.0	0.0	0.0	0.0	0.0	0.1
V=20	L= 0.0	0.0	0.0	0.0	0.0	0.0	0.2	0.4	0.7	0.9	1.1
V=21	L= 0.0	0.2	0.4	0.6	0.8	1.0	1.2	1.4	1.6	1.8	2.0
V=22	L= 0.9	1.2	1.4	1.6	1.8	2.0	2.2	2.4	2.6	2.8	3.0

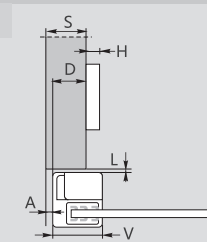
- The above values are calculated on the assumption that the doors have square edges.
- They are reduced if the doors have radiused edges.

#### C80 series snap-on soft close al frame hinge 110° (two way, cam-adjustable)

##### Full overlay C=0



##### H=-2+V-(D)

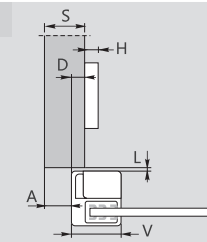


	Item No.	Pcs/ctn
Soft-close	<b>C80A678F</b>	200
Sprung	<b>C80A678</b>	200

##### Half overlay C=9



##### H=-11+V-(D)

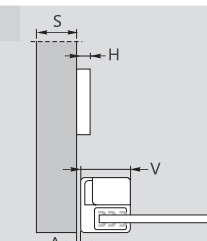


	Item No.	Pcs/ctn
Soft-close	<b>C80B678F</b>	200
Sprung	<b>C80B678</b>	200

##### Inset C=18



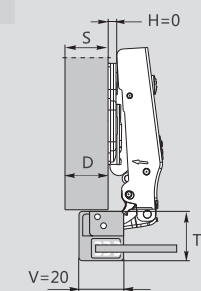
##### H=-20.5+V+(A)



	Item No.	Pcs/ctn
Soft-close	<b>C80C678F</b>	200
Sprung	<b>C80C678</b>	200

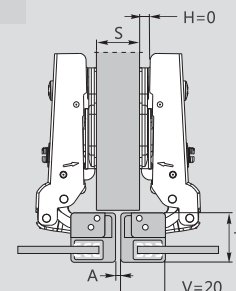
#### C=0 Application with full overlay door

D=18mm



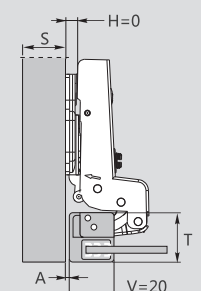
#### C=9 Application with half overlay door

D=9mm



#### C=18 Application with inset door

A=0.5mm





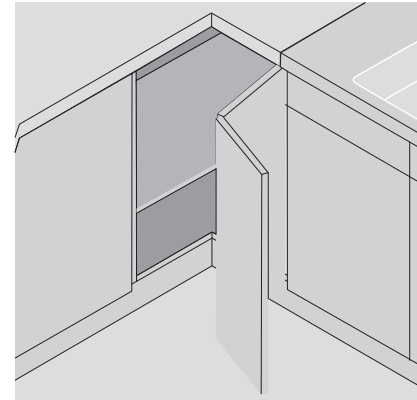
### PRODUCT



### DESCRIPTION

- Opening angle: 110°
- Depth of hinge cup: 11.5mm
- Diameter of hinge cup: 35mm
- Range of door thickness: 16-26mm
- Possible drilling distances on the door(K): 3-6 mm

### APPLICATION



### ORDER INFORMATION



#### $\Phi$ 35mm Options of screws and dowels:

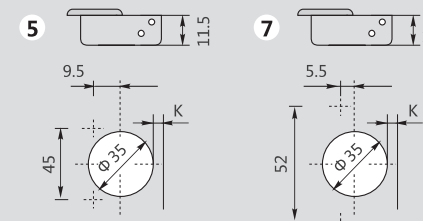
M10 dowel Dowel No: M	Expandable dowel Dowel No: K
M8 dowel Dowel No: N	Expandable dowel Dowel No: K0
Euro screw Dowel No: B	Quick dowel Dowel No: T0

### $\Phi$ 35MM CORNER DOOR, BI-FOLD DOOR, -45° ~ 45° ANGLED HINGE APPLICATIONS

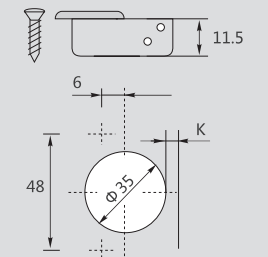
#### Kitchen corner door applications



#### $\Phi$ 35mm Hinge cup types

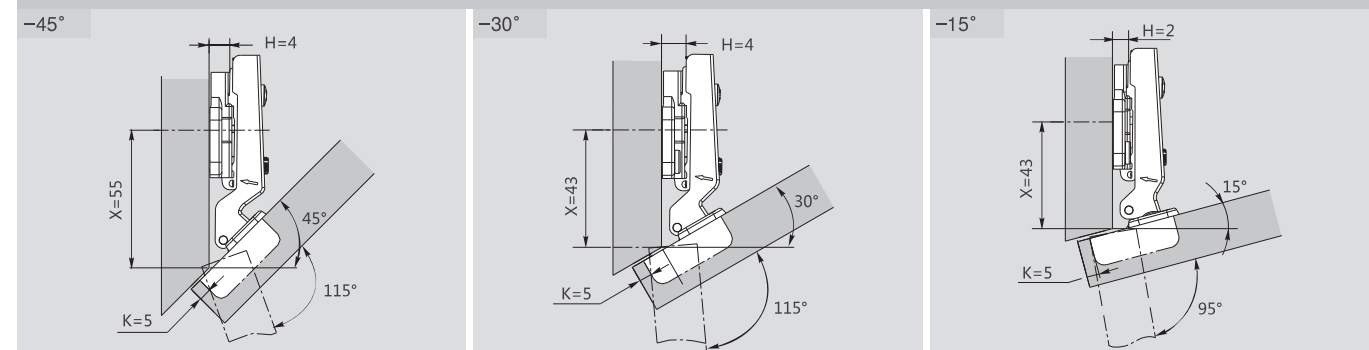


The solution of assembly problems where doors are mounted at a positive or negative angle requires the verification of drilling distances by a practical trial. Please do not hesitate to consult our technical support department for assistance.

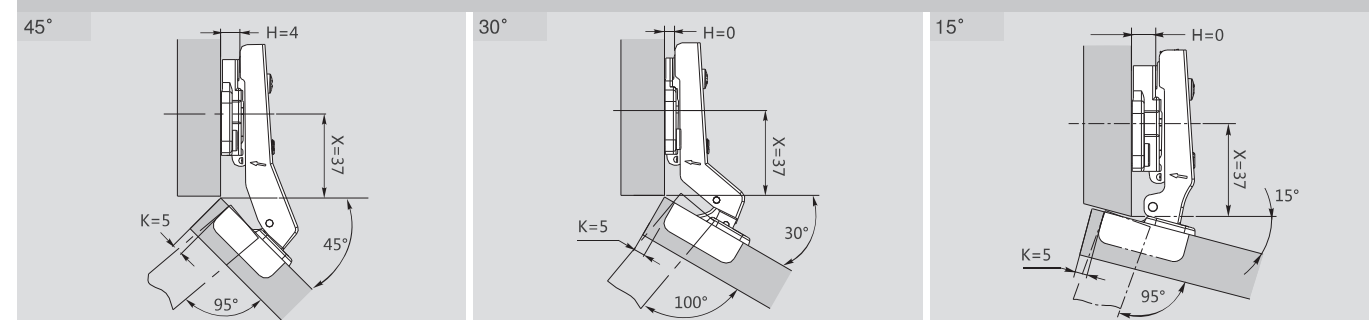


Nickel plated(A01)

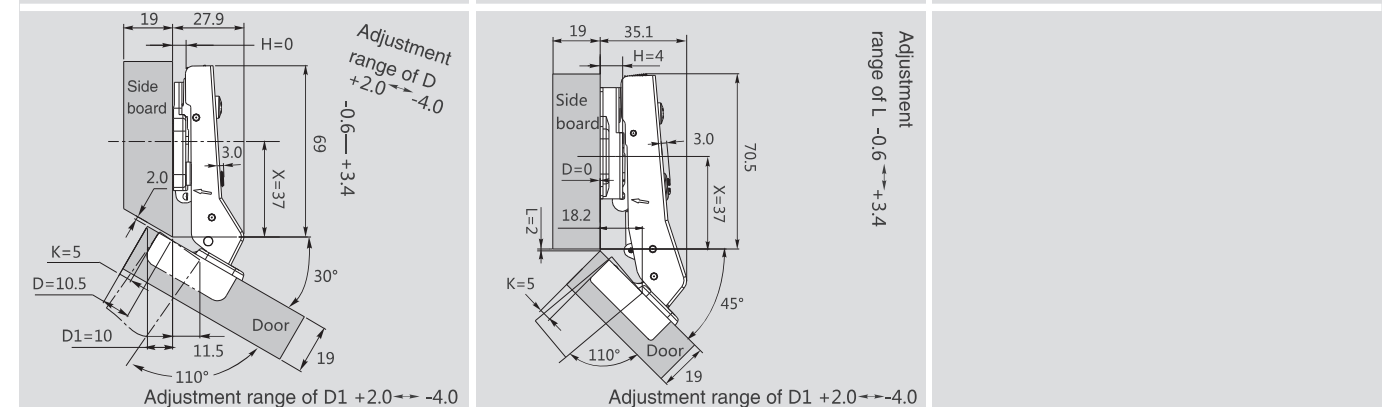
#### Negative angled hinge applications



#### Positive angled hinge applications



#### C80 series snap-on soft close angled hinge 110° (two way, cam-adjustable)



	Item No.	Pcs/ctn	Item No.	Pcs/ctn
Soft-close	<b>C80W676F</b>	200	Soft-close	<b>C80E676F</b>
Sprung	<b>C80W676</b>	200	Sprung	<b>C80E676</b>



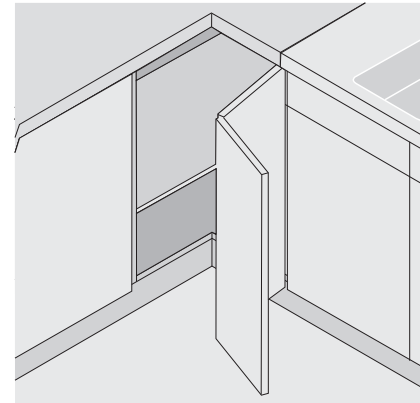
### PRODUCT



### DESCRIPTION

- Opening angle: 110°
- Depth of hinge cup: 11.5mm
- Diameter of hinge cup: 35mm
- Range of door thickness: 16-26mm
- Possible drilling distances on the door(K): 3-6 mm

### APPLICATION



### ORDER INFORMATION

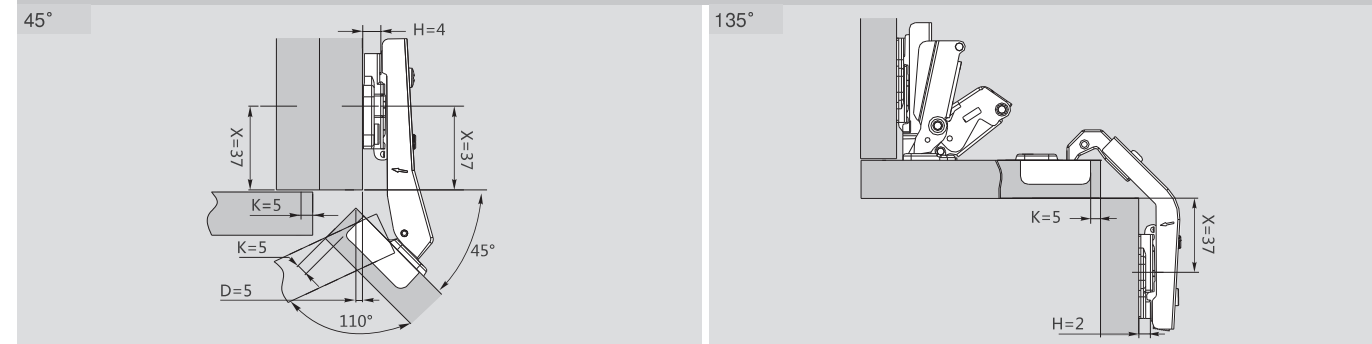


#### $\Phi$ 35mm Options of screws and dowels:

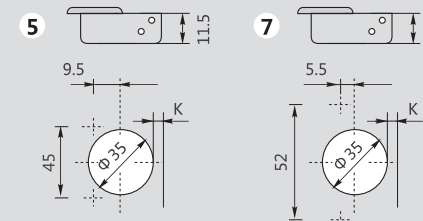
M10 dowel Dowel No: M	Expandable dowel Dowel No: K
M8 dowel Dowel No: N	Expandable dowel Dowel No: K0
Euro screw Dowel No: B	Quick dowel Dowel No: T0

### $\Phi$ 35MM CORNER DOOR, BI-FOLD DOOR, -45°~45° ANGLED HINGE APPLICATIONS

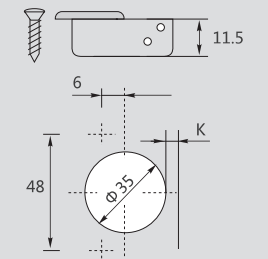
#### Kitchen corner door applications



#### $\Phi$ 35mm Hinge cup types

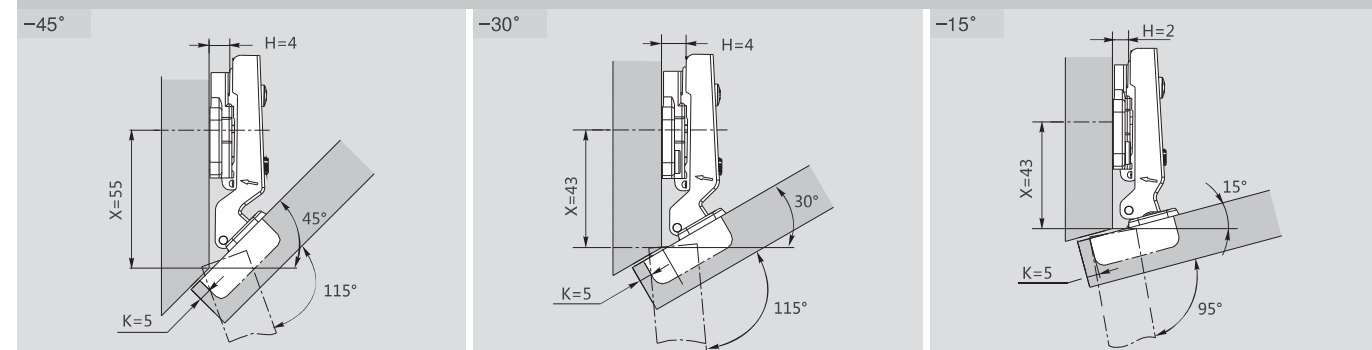


The solution of assembly problems where doors are mounted at a positive or negative angle requires the verification of drilling distances by a practical trial. Please do not hesitate to consult our technical support department for assistance.

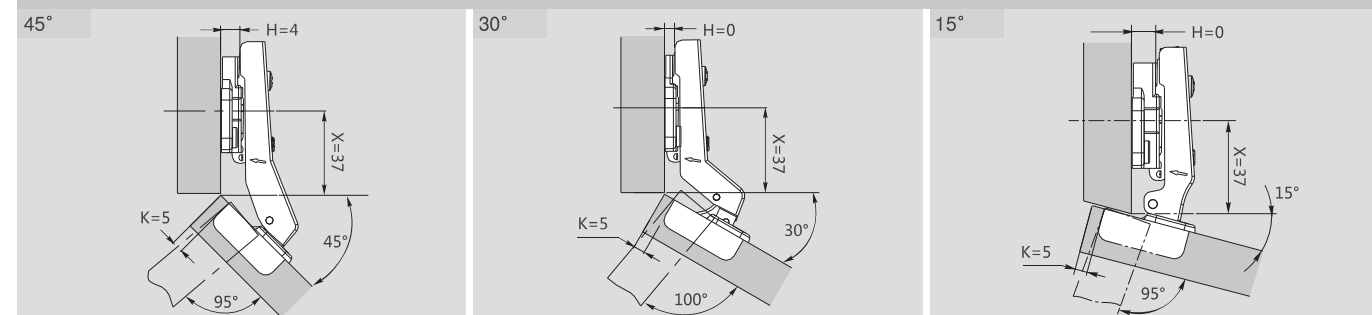


Nickel plated(A01)

#### Negative angled hinge applications



#### Positive angled hinge applications



#### C80 series snap-on soft close angled hinge 110° (two way, cam-adjustable)

90°		90°	
<p>Adjustment range of D: -4.0 ↔ +2.0</p> <p>Adjustment range of L: -0.6 ↔ +3.4</p>		<p>Adjustment range of D: -4.0 ↔ +2.0</p> <p>Adjustment range of L: -0.6 ↔ +3.4</p>	
Soft-close	Item No. <b>C80J676F</b>	Pcs/ctn	200
Sprung	Item No. <b>C80J676</b>	Pcs/ctn	200
Soft-close	Item No. <b>C80G676F</b>	Pcs/ctn	200
Sprung	Item No. <b>C80G676</b>	Pcs/ctn	200



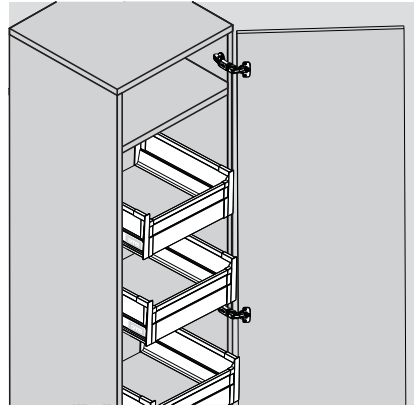
### PRODUCT



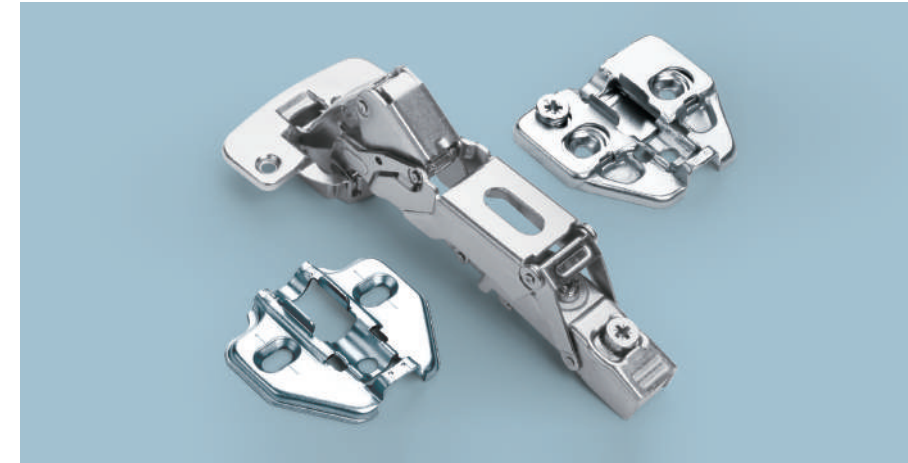
### DESCRIPTION

- Opening angle: 155°
- Depth of hinge cup: 11.5mm
- Diameter of hinge cup: 35mm
- Range of door thickness: 16-24mm
- Possible drilling distances on the door(K): 3-6 mm

### APPLICATION



### ORDER INFORMATION

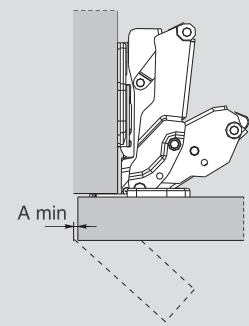


#### $\Phi$ 35mm Options of screws and dowels:

M10 dowel Dowel No: M	Expandable dowel Dowel No: K0
M8 dowel Dowel No: N	Quick dowel Dowel No: T0
Expandable dowel Dowel No: K	

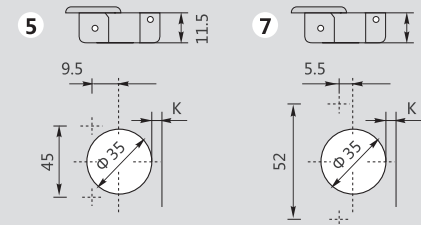
### PLANNING

#### Space needed to open the door

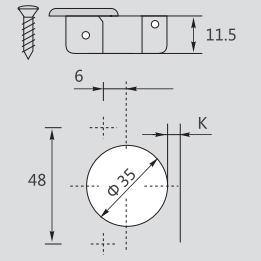


	T=	16	17	18	19	20	21	22	23	24		
K=3	A=	0	0	0	0	0	0	0	0	0		
K=4	A=	0	0	0	0	0	0	0	0	0		
K=5	A=	0	0	0	0	0	0	0	0	0		
K=6	A=	0	0	0	0	0	0	0	0	0		

#### $\Phi$ 35mm Hinge cup types



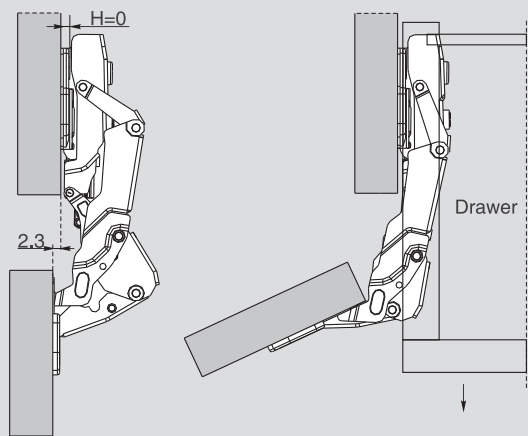
Use these formulas to determine the type of hinge arm, the drilling distance "K" and the height of the mounting plate "H" for each door application.



Nickel plated(A01)

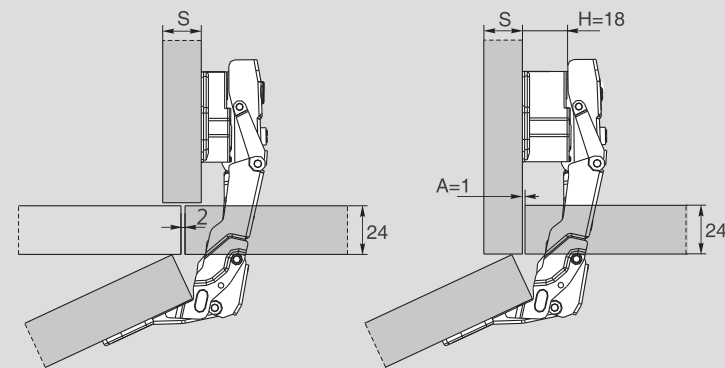
### Application

The door combined with a mounting plate H=0, opens at 90° with a 2.3mm protrusion allowing objects(e.g.drawers) move from inside of the cabinet.



Full overlay C=0

No gap is required when door thickness is less than 24mm. A trial assembly is recommended when door thickness is more than 24mm.



Half overlay C=9

Inset C=18

### C80 series snap-on soft close hinge 155° (two way, cam-adjustable)

Full overlay C=0			Small overlay C=4			Half overlay C=9			Inset C=18		
H=11+K-(D)			H=11+K-(D)			H=11+K-(D)			H=12+K-(D)		
H=0 Mounting plate only			H=4 Mounting plate only			H=9 Mounting plate only			H=18 Mounting plate only		
Item No.	Pcs/ctn		Item No.	Pcs/ctn		Item No.	Pcs/ctn		Item No.	Pcs/ctn	
Soft-close	<b>C80A606F</b>	100	Soft-close	<b>C80A606F</b>	100	Soft-close	<b>C80A606F</b>	100	Soft-close	<b>C80A606F</b>	100
Sprung	<b>C80A606</b>	100	Sprung	<b>C80A606</b>	100	Sprung	<b>C80A606</b>	100	Sprung	<b>C80A606</b>	100





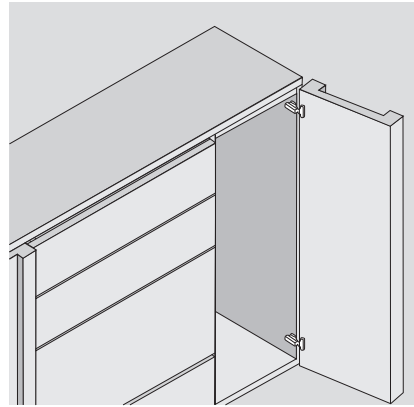
### PRODUCT



### DESCRIPTION

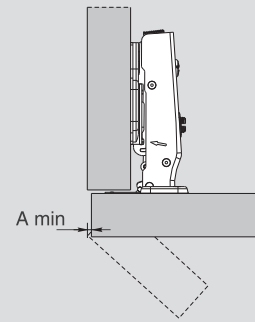
- Opening angle: 95°
- Depth of hinge cup: 11.5mm
- Diameter of hinge cup: 35mm
- Range of door thickness: 19-35mm
- Possible drilling distances on the door(K): 3-9 mm

### APPLICATION



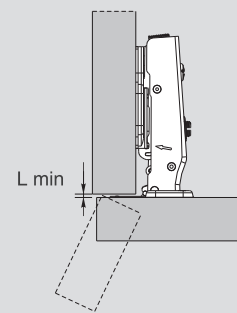
### PLANNING

#### Space needed to open the door



	T=	19	20	21	22	23	24	25	26	27	28	29	30	31	32 - 35
K=3	A=	0.1	0.2	0.3	0.4	0.5	0.7	0.9	1.3	2.2	3.2	4.1	5.0	6.0	7.0 - 10
K=4	A=	0.1	0.2	0.3	0.4	0.5	0.7	0.8	1.0	1.6	2.5	3.5	4.4	5.3	6.3 - 9.1
K=5	A=	0.1	0.2	0.3	0.4	0.5	0.7	0.8	1.0	1.2	2.0	2.9	3.7	4.7	5.6 - 8.4
K=6	A=	0.1	0.2	0.3	0.4	0.5	0.6	0.8	1.0	1.2	1.4	2.3	3.2	4.1	5.0 - 7.8
K=7	A=	0.1	0.2	0.3	0.4	0.5	0.6	0.8	1.0	1.2	1.4	1.8	2.7	3.6	4.4 - 7.0
K=8	A=	0.1	0.2	0.3	0.4	0.5	0.6	0.8	1.0	1.1	1.4	1.6	2.2	3.1	3.9 - 6.5
K=9	A=	0.1	0.2	0.3	0.4	0.5	0.6	0.8	0.9	1.1	1.3	1.6	1.8	2.6	3.4 - 6.0

#### Space needed to open the door

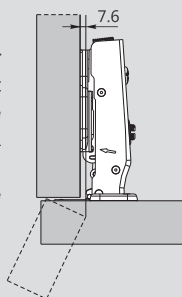


	T=	19	20	21	22	23	24	25	26	27	28	29	30	31	32 - 35
K=3	L=	0.0	0.0	0.0	0.0	0.0	0.0	0.0	0.0	0.0	0.0	0.0	0.0	0.0	0.0 - 0.0
K=4	L=	0.0	0.0	0.0	0.0	0.0	0.0	0.0	0.0	0.0	0.0	0.0	0.0	0.0	0.0 - 0.0
K=5	L=	0.0	0.0	0.0	0.0	0.0	0.0	0.0	0.0	0.0	0.2	0.2	0.3	0.4	0.5 - 0.7
K=6	L=	0.3	0.4	0.5	0.6	0.7	0.7	0.8	0.9	1.0	1.2	1.2	1.3	1.4	1.5 - 1.7
K=7	L=	1.3	1.4	1.5	1.6	1.7	1.7	1.8	1.9	2.0	2.2	2.2	2.3	2.4	2.5 - 2.7
K=8	L=	2.3	2.4	2.5	2.6	2.7	2.7	2.8	2.9	3.0	3.2	3.2	3.3	3.4	3.5 - 3.7
K=9	L=	3.3	3.4	3.5	3.6	3.7	3.7	3.8	3.9	4.0	4.2	4.2	4.3	4.4	4.5 - 4.7

- The above values are calculated on the assumption that the doors have square edges.
- They are reduced if the doors have radiussed edges.

#### Projection of the door

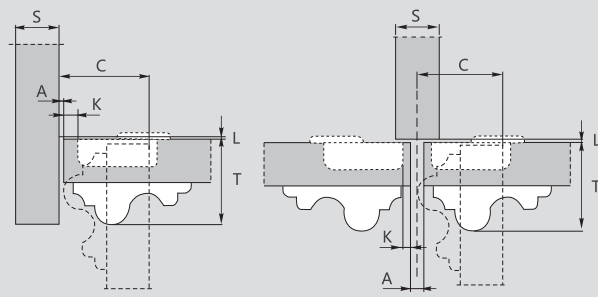
Projection of the door from the cabinet side at the max. opening. The figures are based on a straight arm hinge, H=0mm mounting plate and drilling distance (K) =3mm.



#### "C" value

$$C = 22 + K + A$$

With this formula you can obtain the max. thickness of the moulded door that can be opened without touching adjacent carcass sides, doors or walls, whilst bearing in mind the above L-K-T values.



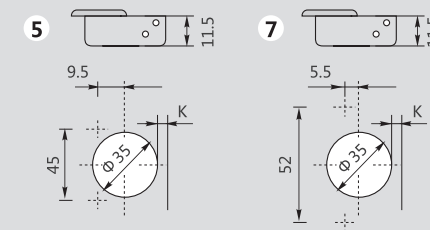
### ORDER INFORMATION



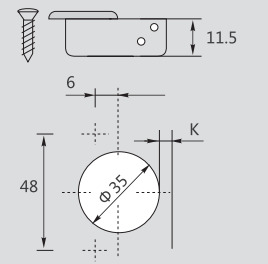
#### $\Phi$ 35mm Options of screws and dowels:

M10 dowel Dowel No: M	Expandable dowel Dowel No: K
M8 dowel Dowel No: N	Expandable dowel Dowel No: K0
Euro screw Dowel No: B	Quick dowel Dowel No: T0

#### $\Phi$ 35mm Hinge cup types



Use these formulas to determine the type of hinge arm, the drilling distance "K" and the height of the mounting plate "H" for each door application.



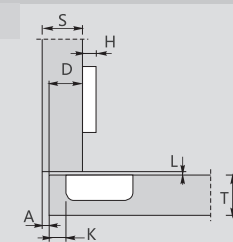
Nickel plated(A01)

#### C80 series snap-on soft close hinge 95° (two way, cam-adjustable)

##### Full overlay C=0



$$H = 12 + K - (D)$$

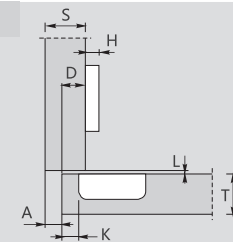


	Item No.	Pcs/ctn
Soft-close	<b>C80A616F</b>	200
Sprung	<b>C80A616</b>	200

##### Half overlay C=9



$$H = 3 + K - (D)$$

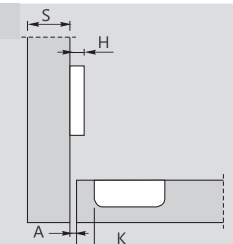


	Item No.	Pcs/ctn
Soft-close	<b>C80B616F</b>	200
Sprung	<b>C80B616</b>	200

##### Inset C=18



$$H = -6 + K + (A)$$



	Item No.	Pcs/ctn
Soft-close	<b>C80C616F</b>	200
Sprung	<b>C80C616</b>	200



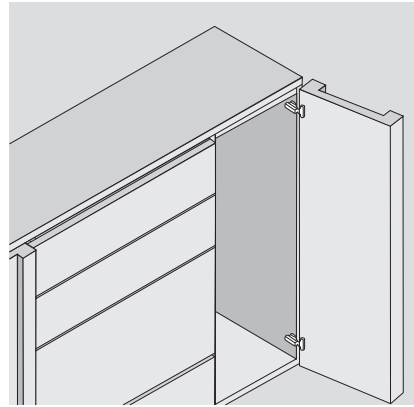
### PRODUCT



### DESCRIPTION

- Opening angle: 95°
- Depth of hinge cup: 13mm
- Diameter of hinge cup: 40mm
- Range of door thickness: 20-40mm
- Possible drilling distances on the door(K): 3-15 mm

### APPLICATION



### ORDER INFORMATION

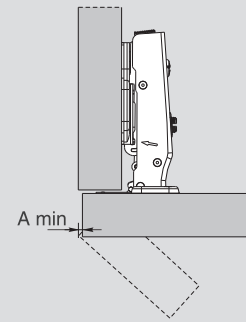


#### $\Phi$ 40mm Options of screws and dowels:

M10 dowel Dowel No: M	Expandable dowel Dowel No: K
M8 dowel Dowel No: N	Expandable dowel Dowel No: K0
Euro screw Dowel No: B	Quick dowel Dowel No: T0

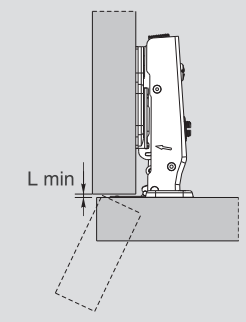
### PLANNING

#### Space needed to open the door



T=	20	21	22	23	24	25	26	27	28	29	30	31	32	33 - 40
K=3	A= 0.3	0.5	0.6	0.8	1.0	1.2	1.4	1.6	1.9	2.2	2.5	2.8	3.2	3.5 - 9.7
K=4	A= 0.3	0.5	0.6	0.8	1.0	1.2	1.4	1.6	1.9	2.1	2.4	2.8	3.1	3.4 - 9.1
K=5	A= 0.3	0.5	0.6	0.8	0.9	1.1	1.4	1.6	1.8	2.1	2.4	2.7	3.0	3.4 - 8.5
K=6	A= 0.3	0.5	0.6	0.8	0.9	1.1	1.3	1.6	1.8	2.1	2.3	2.7	3.0	3.3 - 7.9
K=7	A= 0.3	0.4	0.6	0.7	0.9	1.1	1.3	1.5	1.8	2.0	2.3	2.6	2.9	3.3 - 7.3
K=8	A= 0.3	0.4	0.6	0.7	0.9	1.1	1.3	1.5	1.7	2.0	2.3	2.6	2.9	3.2 - 6.9
	-	-	-	-	-	-	-	-	-	-	-	-	-	- -
K=15	A= 0.3	0.4	0.5	0.6	0.8	1.0	1.1	1.3	1.6	1.8	2.0	2.3	2.5	2.8 - 5.4

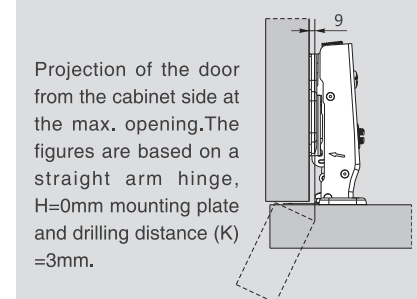
#### Space needed to open the door



T=	20	21	22	23	24	25	26	27	28	29	30	31	32	33 - 40
K=3-9	L= 0.0	0.0	0.0	0.0	0.0	0.0	0.0	0.0	0.0	0.0	0.0	0.0	0.0	0.0 - 0.0
K=10	L= 0.0	0.0	0.0	0.0	0.0	0.0	0.0	0.0	0.0	0.0	0.1	0.1	0.2	0.3 - 0.8
K=11	L= 0.4	0.5	0.6	0.7	0.7	0.8	0.9	0.9	1.0	1.1	1.1	1.2	1.3	1.4 - 1.8
K=12	L= 1.4	1.5	1.6	1.7	1.7	1.8	1.9	1.9	2.0	2.1	2.1	2.2	2.3	2.4 - 2.8
K=13	L= 2.4	2.5	2.6	2.7	2.7	2.8	2.9	2.9	3.0	3.1	3.1	3.2	3.3	3.3 - 3.8
K=14	L= 3.4	3.5	3.6	3.6	3.7	3.8	3.9	3.9	4.0	4.1	4.1	4.2	4.3	4.3 - 4.8
K=15	L= 4.4	4.5	4.6	4.6	4.7	4.8	4.9	4.9	5.0	5.1	5.1	5.2	5.3	5.3 - 5.8

- The above values are calculated on the assumption that the doors have square edges.
- They are reduced if the doors have radiused edges.

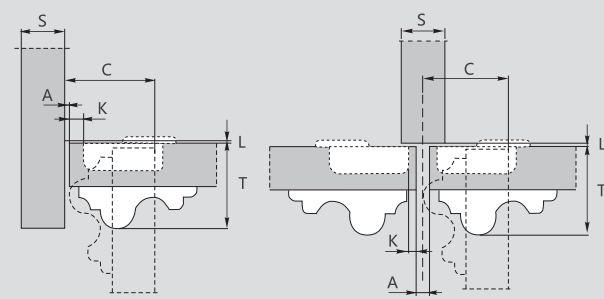
#### Projection of the door



#### "C" value

$$C=28+K+ A$$

With this formula you can obtain the max. thickness of the moulded door that can be opened without touching adjacent carcass sides, doors or walls, whilst bearing in mind the above L-K-T values.



#### C80 series $\Phi$ 40mm snap-on soft close hinge 95° (two way, cam adjustable)

Full overlay C=0	H=18+K-(D)	Item No.	Pcs/ctn
		Soft-close <b>C80A697F</b>	200
		Sprung <b>C80A697</b>	200
Half overlay C=9	H=9+K-(D)	Item No.	Pcs/ctn
		Soft-close <b>C80B697F</b>	200
		Sprung <b>C80B697</b>	200
Inset C=24	H=-6+K+(A)	Item No.	Pcs/ctn
		Soft-close <b>C80C697F</b>	200
		Sprung <b>C80C697</b>	200



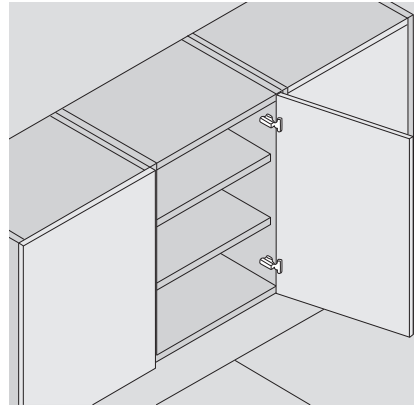
### PRODUCT



### DESCRIPTION

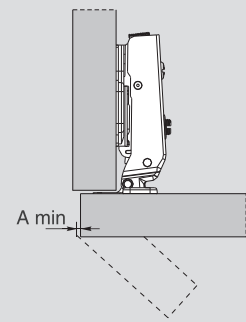
- Opening angle: 100°
- Depth of hinge cup: 10mm
- Diameter of hinge cup: 26mm
- Range of door thickness: 12-22mm
- Possible drilling distances on the door(K): 3-7 mm

### APPLICATION



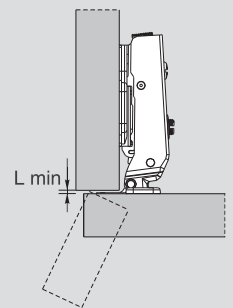
### PLANNING

#### Space needed to open the door



T=	12	13	14	15	16	17	18	19	20	21	22
K=3	A= 0.5	0.8	1.1	1.4	1.9	2.6	3.4	4.2	5.1	6.0	6.9
K=4	A= 0.5	0.7	1.0	1.4	1.8	2.3	3.0	3.8	4.6	5.4	6.3
K=5	A= 0.5	0.7	1.0	1.3	1.7	2.2	2.8	3.4	4.2	5.0	5.8
K=6	A= 0.4	0.6	0.9	1.2	1.6	2.0	2.5	3.2	3.9	4.6	5.4
K=7	A= 0.4	0.6	0.9	1.2	1.5	1.9	2.4	2.9	3.6	4.3	5.0

#### Space needed to open the door

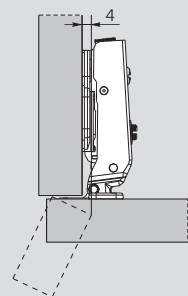


T=	12	13	14	15	16	17	18	19	20	21	22
K=3	L= 0.0	0.0	0.0	0.0	0.0	0.1	0.1	0.3	0.5	0.6	0.8
K=4	L= 0.0	0.2	0.4	0.6	0.7	0.9	1.1	1.3	1.4	1.6	1.8
K=5	L= 1.0	1.2	1.4	1.6	1.7	1.9	2.1	2.2	2.4	2.6	2.8
K=6	L= 2.0	2.2	2.4	2.5	2.7	2.9	3.1	3.2	3.4	3.6	3.8
K=7	L= 3.0	3.2	3.4	3.5	3.7	3.9	4.0	4.2	4.4	4.6	4.7

- The above values are calculated on the assumption that the doors have square edges.
- They are reduced if the doors have radiussed edges.

#### Projection of the door

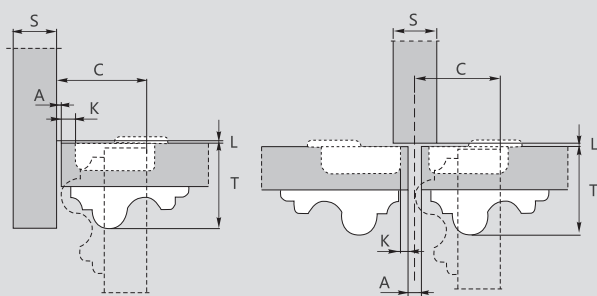
Projection of the door from the cabinet side at the max. opening. The figures are based on a straight arm hinge, H=0mm mounting plate and drilling distance (K) =3mm.



#### "C" value

$$C=13+K+ A$$

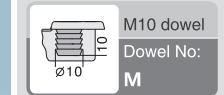
Projection of the door from the cabinet side at the max. opening. The figures are based on a straight arm hinge, H=0mm mounting plate and drilling distance (K) =3mm.



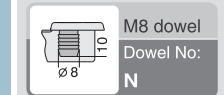
### ORDER INFORMATION



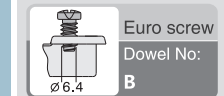
#### $\Phi$ 26mm Options of screws and dowels:



M10 dowel  
Dowel No: M

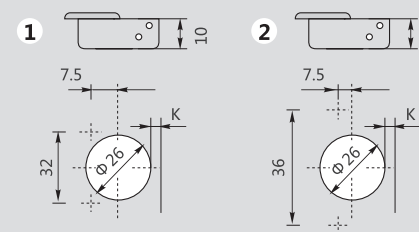


M8 dowel  
Dowel No: N

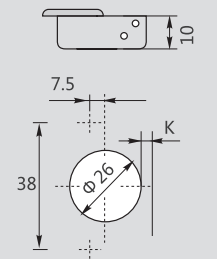


Euro screw  
Dowel No: B

#### $\Phi$ 26mm Hinge cup types



Use these formulas to determine the type of hinge arm, the drilling distance "K" and the height of the mounting plate "H" for each door application.



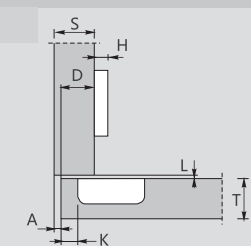
Nickel plated(A01)

#### C80 series snap-on soft close mini hinge 100° (one way, cam-adjustable)

##### Full overlay C=0



$$H=10.5+K-(D)$$

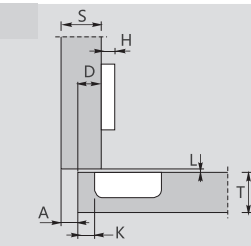


	Item No.	Pcs/ctn
Soft-close	<b>C80A6A3F</b>	200
Sprung	<b>C80A6A3</b>	200

##### Half overlay C=9



$$H=1.5+K-(D)$$

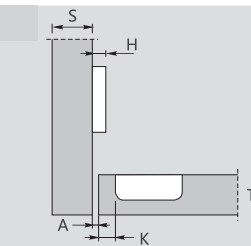


	Item No.	Pcs/ctn
Soft-close	<b>C80B6A3F</b>	200
Sprung	<b>C80B6A3</b>	200

##### Inset C=16.5



$$H=-8.5+K+(A)$$



	Item No.	Pcs/ctn
Soft-close	<b>C80C6A3F</b>	200
Sprung	<b>C80C6A3</b>	200

# PIVOT-PRO

## C80 Series $\Phi$ 26mm Soft-close Mini Glass Hinges



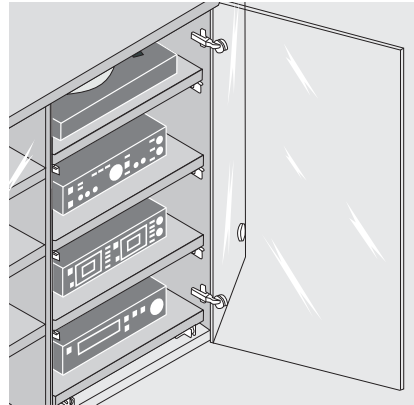
### PRODUCT



### DESCRIPTION

- Opening angle: 95°
- Depth of hinge cup: 10.6mm
- Diameter of hinge cup: 26mm
- Available glass door thickness: 4-6mm
- Possible drilling distances on the glass door(K): 4-7mm

### APPLICATION



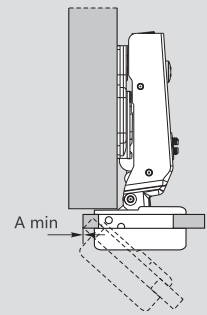
### ORDER INFORMATION



Available finishes for $\Phi$ 26mm covers	
Chrome:	C01
Dark Chrome:	C02
Bright Silver:	C03
Silver:	C04
Satin Gold:	C05
Satin Silver:	C06
Satin Chrome:	C07
Bright Gold:	C08
Silver Grey:	C09

### PLANNING

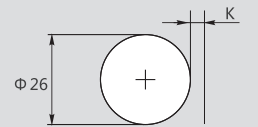
#### Space needed to open the door



T=	12	13	14	15	16	17	18	19	20	21	22
K=4	A= 0.5	0.7	1.0	1.4	1.8	2.3	3.0	3.8	4.6	5.4	6.3
K=5	A= 0.5	0.7	1.0	1.3	1.7	2.2	2.8	3.4	4.2	5.0	5.8
K=6	A= 0.4	0.6	0.9	1.2	1.6	2.0	2.5	3.2	3.9	4.6	5.4
K=7	A= 0.4	0.6	0.9	1.2	1.5	1.9	2.4	2.9	3.6	4.3	5.0

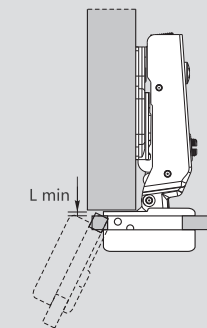
#### Options of $\Phi$ 26mm covers:

	40.6		32.6	Item No.	Pcs/ctn
	31.6		32.6	ABS oval cover	P2B 200
				ABS round cover	P2C 200
	40.6		32.6	Item No.	Pcs/ctn
	31.6		32.6	Metal oval cover	Z3B 200
				Metal round cover	Z3C 200



Nickel plated(A01)

#### Space needed to open the door



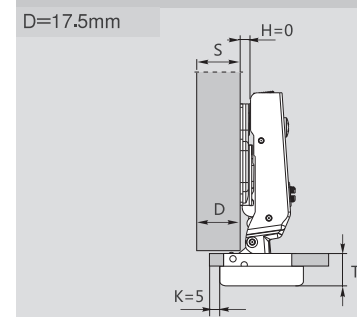
T=	12	13	14	15	16	17	18	19	20	21	22
K=4	L= 0.0	0.2	0.4	0.6	0.7	0.9	1.1	1.3	1.4	1.6	1.8
K=5	L= 1.0	1.2	1.4	1.6	1.7	1.9	2.1	2.2	2.4	2.6	2.8
K=6	L= 2.0	2.2	2.4	2.5	2.7	2.9	3.1	3.2	3.4	3.6	3.8
K=7	L= 3.0	3.2	3.4	3.5	3.7	3.9	4.0	4.2	4.4	4.6	4.7

- The above values are calculated on the assumption that the doors have square edges.
- They are reduced if the doors have radiussed edges.

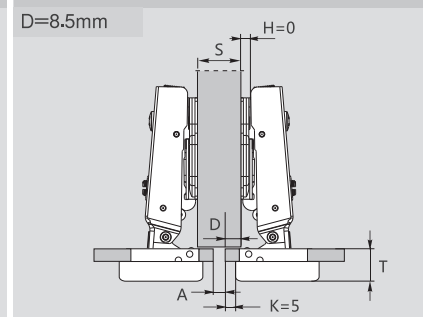
#### C80 series snap-on soft close mini glass hinge 100° (one way, cam-adjustable)

Full overlay C=0		$H=10.5+K-(D)$	Item No.	Pcs/ctn
			Soft-close	C80A611F 200
			Sprung	C80A611 200
Half overlay C=9		$H=1.5+K-(D)$	Item No.	Pcs/ctn
			Soft-close	C80B611F 200
			Sprung	C80B611 200
Inset C=17		$H=-8.5+K+(A)$	Item No.	Pcs/ctn
			Soft-close	C80C611F 200
			Sprung	C80C611 200

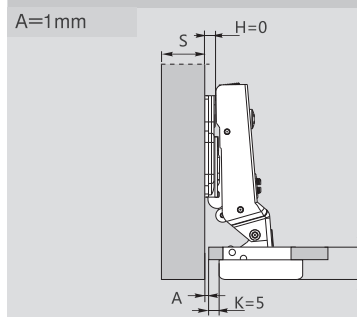
#### C=0 Application with full overlay door



#### C=9 Application with half overlay door



#### C=18 Application with inset door





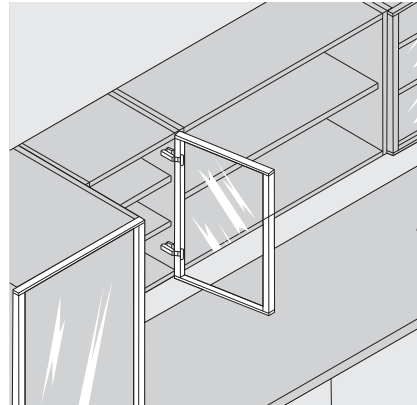
### PRODUCT



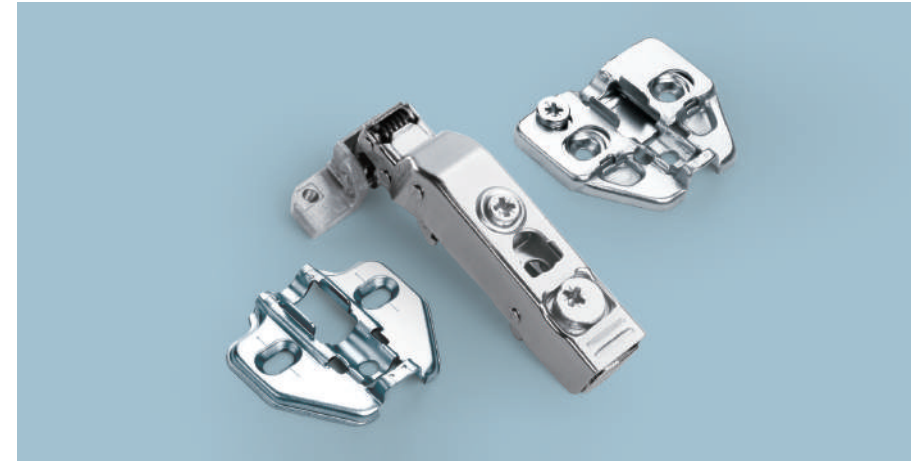
### DESCRIPTION

- Opening angle: 100°
- Drilling dimension on aluminium frame hinge head: 32mm
- Range of width of aluminium frame (V) : 9.8mm

### APPLICATION

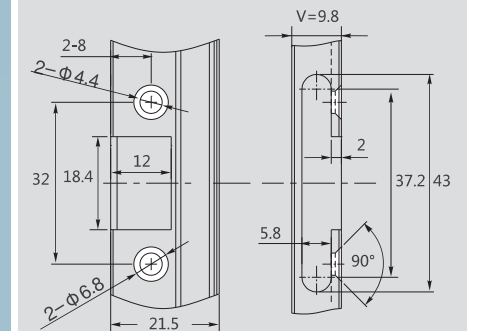


### ORDER INFORMATION



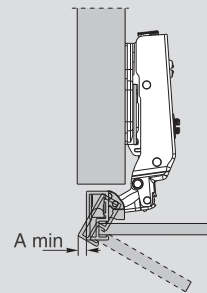
#### Drilling Dimensions on Aluminium Frame

V: 9.8mm



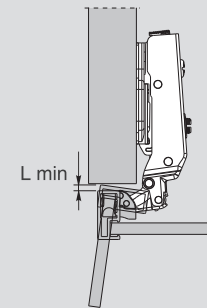
### PLANNING

#### Space needed to open the door



	T=	21.5																	
V=9.8	A=	5.4																	

#### Space needed to open the door

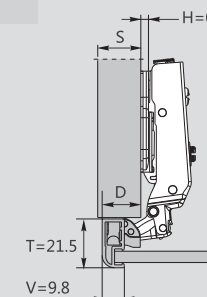


	T=	21.5																	
V=9.8	L=	3.8																	

- The above values are calculated on the assumption that the doors have square edges.
- They are reduced if the doors have radiussed edges.

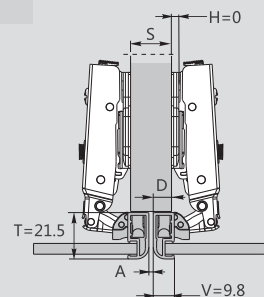
#### C=0 Application with full overlay door

D=19mm



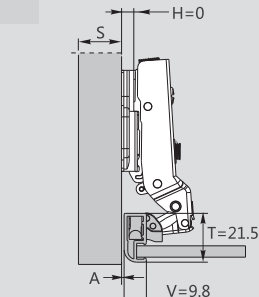
#### C=9 Application with half overlay door

D=10mm

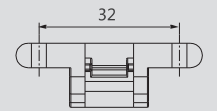


#### C=17 Application with inset door

A=1mm



Use these formulas to determine the type of hinge arm, the drilling distance "K" and the height of the mounting plate "H" for each door application.



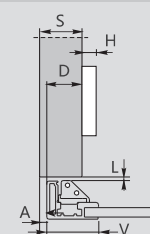
Nickel plated(A01)

### C80 series snap-on soft close mini ai frame hinge 100° (one way, cam-adjustable)

#### Full overlay C=0



$$H=7+V-(D)$$

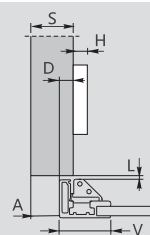


	Item No.	Pcs/ctn
Soft-close	<b>C80A6A2F</b>	200
Sprung	<b>C80A6A2</b>	200

#### Half overlay C=9



$$H=-2+V-(D)$$

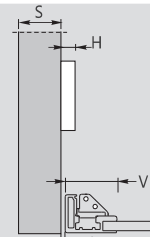


	Item No.	Pcs/ctn
Soft-close	<b>C80B6A2F</b>	200
Sprung	<b>C80B6A2</b>	200

#### Inset C=17



$$H=-15+V+(A)$$



	Item No.	Pcs/ctn
Soft-close	<b>C80C6A2F</b>	200
Sprung	<b>C80C6A2</b>	200



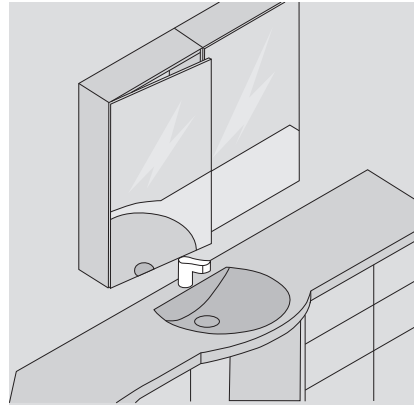
### PRODUCT



### DESCRIPTION

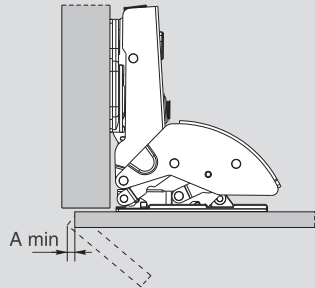
- Opening angle: 125°
- Available glass door thickness: 3-6mm
- Adhesion distance (K): 0-16.5mm

### APPLICATION



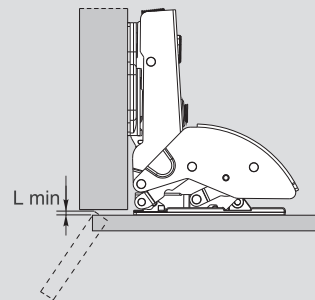
### PLANNING

#### Space needed to open the door



	T=	3	4	5	6									
K=1.5	A=	13.6	14.4	15.2	16.1									
K=3.0	A=	11.2	12.1	12.9	13.8									
K=4.5	A=	8.9	9.8	10.7	11.6									
K=6.0	A=	6.8	7.7	8.6	9.5									
K=7.5	A=	4.2	5.0	5.8	6.6									
K=8.0	A=	2.8	3.8	4.8	5.8									
		-	-	-	-									
K=16.5	A=	0	0	0.3	0.8									

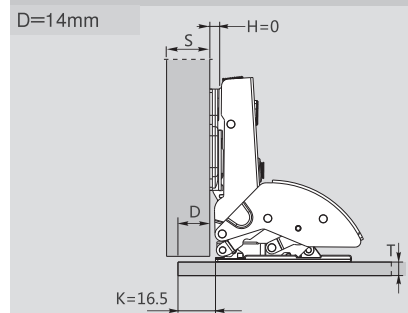
#### Space needed to open the door



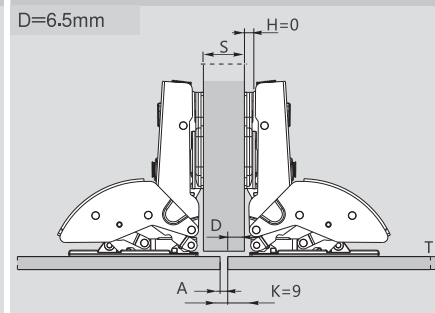
	T=	3	4	5	6									
K=1.5	L=	0	0	0	0									
K=3.0	L=	0	0	0	0									
K=3.5	L=	0	0	0	0									
		-	-	-	-									
K=16.5	L=	0	0	0	0									

- The above values are calculated on the assumption that the doors have square edges.
- They are reduced if the doors have radiussed edges.

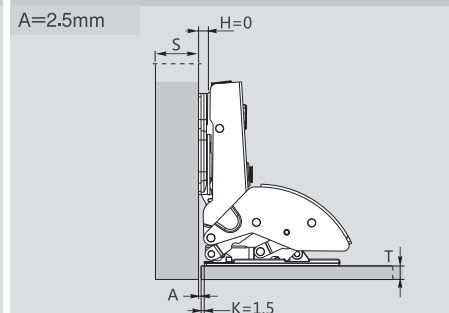
#### C=0 Application with full overlay door



#### C=7.5 Application with half overlay door



#### C=15 Application with inset door

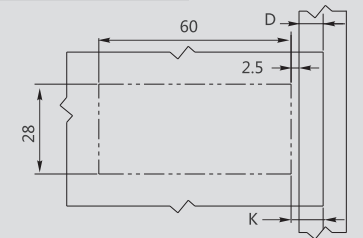


### ORDER INFORMATION



#### Adhesion distance:

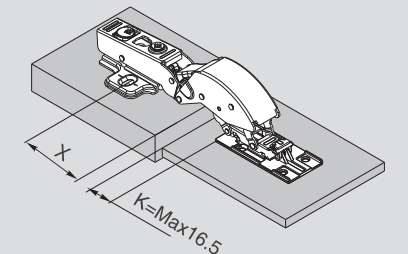
Assembly instructions:  
Please contact your glass or door supplier concerning the right adhesive and its use.



Limitation of liability:  
As the adhesive and/or adhesive process are beyond our control, DTC cannot accept liability for claims in this regard.

Use these formulas to determine the type of hinge arm, the adhesion distance "K" and the height of the mounting plate "H" for each door application.

$$K(\text{min } 0, \text{max } 16.5) = D + 2.5$$



Nickel plated (A01)

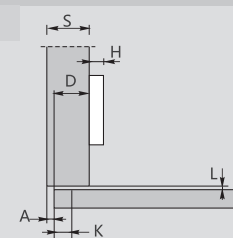
Caution  
Drilling distance: Full overlay, Half overlay X=46, Inset X=46+S+1

### C80 series snap-on soft close mirror hinge 125° (two way, cam-adjustable)

#### Full overlay C=0



$$H = -2.5 + K - (D)$$

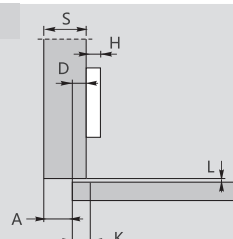


	Item No.	Pcs/ctn
Soft-close	<b>C80A689F</b>	200
Sprung	<b>C80A689</b>	200

#### Half overlay C=7.5



$$H = -2.5 + K - (D)$$

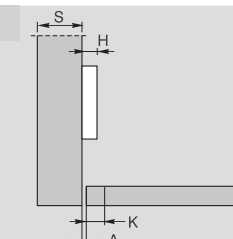


	Item No.	Pcs/ctn
Soft-close	<b>C80A689F</b>	200
Sprung	<b>C80A689</b>	200

#### Inset C=15



$$H = -2.5 + K + (A)$$



	Item No.	Pcs/ctn
Soft-close	<b>C80A689F</b>	200
Sprung	<b>C80A689</b>	200



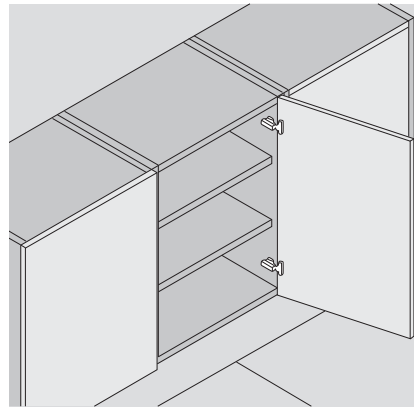
### PRODUCT



### DESCRIPTION

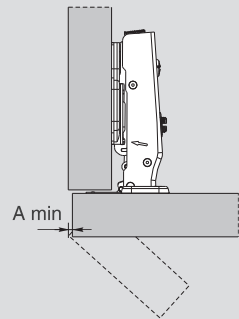
- Opening angle: 120°
- Depth of hinge cup: 13mm
- Diameter of hinge cup: 35mm
- Range of door thickness: 16-26mm
- Possible drilling distances on the door(K): 3-6mm

### APPLICATION



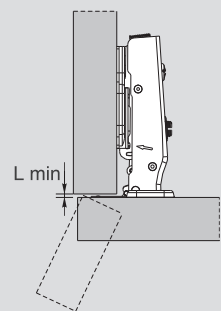
### PLANNING

#### Space needed to open the door



	T=	16	17	18	19	20	21	22	23	24	25	26
K=3	A=	1.1	1.3	1.6	1.9	2.2	2.6	3.0	3.5	4.0	4.7	5.5
K=4	A=	1.0	1.3	1.5	1.8	2.1	2.5	2.9	3.3	3.8	4.4	5.1
K=5	A=	1.0	1.3	1.5	1.8	2.1	2.4	2.8	3.2	3.6	4.2	4.8
K=6	A=	1.0	1.2	1.5	1.7	2.0	2.4	2.7	3.1	3.5	4.0	4.6

#### Space needed to open the door

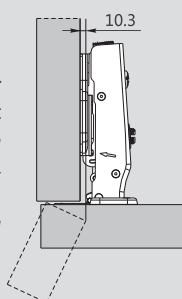


	T=	16	17	18	19	20	21	22	23	24	25	26
K=3	L=	0.0	0.0	0.0	0.0	0.1	0.5	0.9	1.3	1.8	2.2	2.6
K=4	L=	0.0	0.0	0.2	0.6	1.0	1.4	1.8	2.2	2.7	3.1	3.5
K=5	L=	0.2	0.6	1.0	1.5	1.9	2.3	2.7	3.2	3.6	4.0	4.4
K=6	L=	1.1	1.5	1.9	2.4	2.8	3.2	3.6	4.1	4.5	4.9	5.3

- The above values are calculated on the assumption that the doors have square edges.
- They are reduced if the doors have radiused edges.

#### Projection of the door

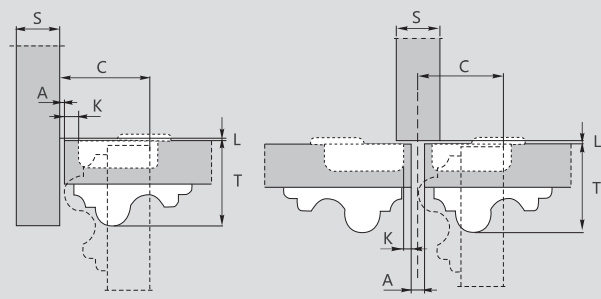
Projection of the door from the cabinet side at the max. opening. The figures are based on a straight arm hinge, H=0mm mounting plate and drilling distance (K)=3mm.



#### "C" value

$$C = 15.5 + K + A$$

With this formula you can obtain the max. thickness of the moulded door that can be opened without touching adjacent carcass sides, doors or walls, whilst bearing in mind the above L-K-T values.



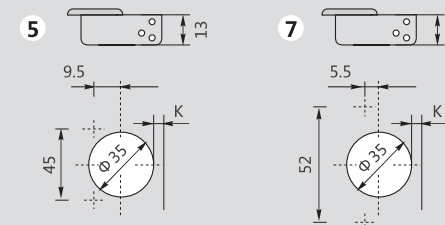
### ORDER INFORMATION



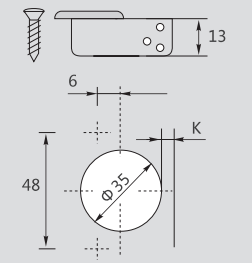
#### $\Phi$ 35mm Options of screws and dowels:

M10 dowel Dowel No: M	Expandable dowel Dowel No: K
M8 dowel Dowel No: N	Expandable dowel Dowel No: K0
Euro screw Dowel No: B	Quick dowel Dowel No: T0

#### $\Phi$ 35mm Hinge cup types



Use these formulas to determine the type of hinge arm, the drilling distance "K" and the height of the mounting plate "H" for each door application.



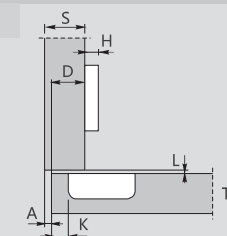
Nickel plated(A01)

#### C80 series snap-on soft close hinge 120° (two way)

##### Full overlay C=0



##### H=12+K-(D)

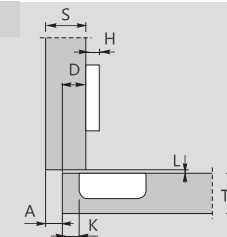


	Item No.	Pcs/ctn
Soft-close	<b>C80A486F</b>	200
Sprung	<b>C80A486</b>	200

##### Small overlay C=3



##### H=9+K-(D)

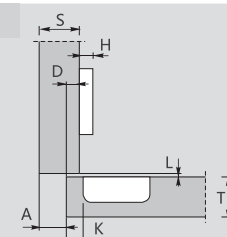


	Item No.	Pcs/ctn
Soft-close	<b>C80D486F</b>	200
Sprung	<b>C80D486</b>	200

##### Half overlay C=9



##### H=3+K-(D)



	Item No.	Pcs/ctn
Soft-close	<b>C80B486F</b>	200
Sprung	<b>C80B486</b>	200



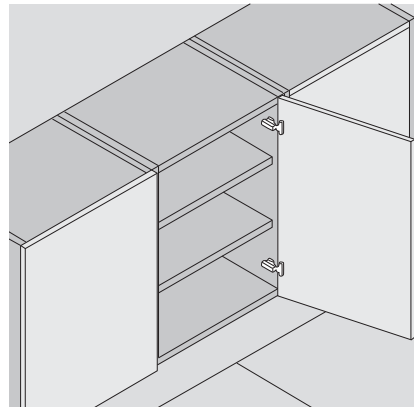
### PRODUCT



### DESCRIPTION

- Opening angle: 110°
- Depth of hinge cup: 11.5mm
- Diameter of hinge cup: 35mm
- Range of door thickness: 16-26mm
- Possible drilling distances on the door (K): 3-6mm

### APPLICATION



### ORDER INFORMATION

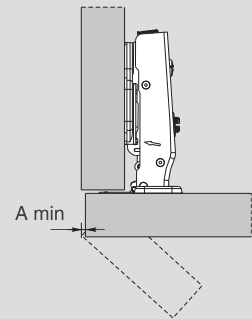


#### $\Phi$ 35mm Options of screws and dowels:

M10 dowel Dowel No: M	Expandable dowel Dowel No: K
M8 dowel Dowel No: N	Expandable dowel Dowel No: K0
Euro screw Dowel No: B	Quick dowel Dowel No: T0

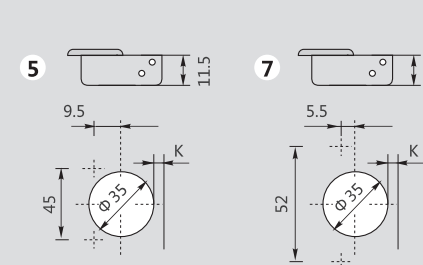
### PLANNING

#### Space needed to open the door

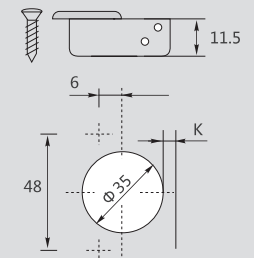


	T=	16	17	18	19	20	21	22	23	24	25	26
K=3	A=	0.7	0.9	1.2	1.5	1.8	2.2	2.6	3.2	3.8	4.5	5.3
K=4	A=	0.7	0.9	1.1	1.4	1.8	2.1	2.5	3.0	3.5	4.4	4.9
K=5	A=	0.6	0.9	1.1	1.4	1.7	2.0	2.4	2.9	3.4	3.9	4.6
K=6	A=	0.6	0.8	1.1	1.3	1.6	2.0	2.4	2.8	3.2	3.8	4.4

#### $\Phi$ 35mm Hinge cup types

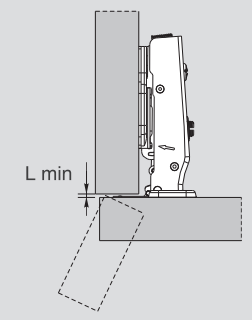


Use these formulas to determine the type of hinge arm, the drilling distance "K" and the height of the mounting plate "H" for each door application.



Nickel plated(A01)

#### Space needed to open the door

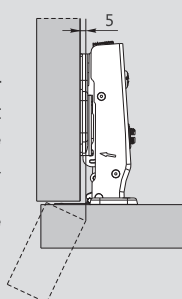


	T=	16	17	18	19	20	21	22	23	24	25	26
K=3	L=	0.0	0.0	0.0	0.0	0.0	0.0	0.0	0.0	0.0	0.0	0.1
K=4	L=	0.0	0.0	0.0	0.0	0.0	0.0	0.2	0.4	0.7	0.9	1.1
K=5	L=	0.0	0.2	0.4	0.6	0.8	1.0	1.2	1.4	1.6	1.8	2.0
K=6	L=	0.9	1.2	1.4	1.6	1.8	2.0	2.2	2.4	2.6	2.8	3.0

- The above values are calculated on the assumption that the doors have square edges.
- They are reduced if the doors have radiused edges.

#### Projection of the door

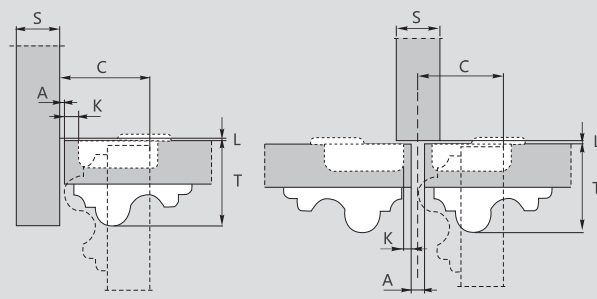
Projection of the door from the cabinet side at the max. opening. The figures are based on a straight arm hinge, H=0mm mounting plate and drilling distance (K)=3mm.



#### "C" value

$$C = 20 + K + A$$

With this formula you can obtain the max. thickness of the moulded door that can be opened without touching adjacent carcass sides, doors or walls, whilst bearing in mind the above L-K-T values.

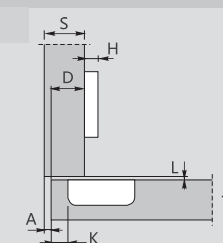


#### C80 series snap-on soft close hinge 110° (two way)

##### Full overlay C=0



$$H = 12 + K - (D)$$

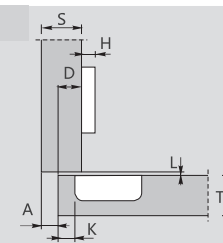


	Item No.	Pcs/ctn
Soft-close	<b>C80A476F</b>	200
Sprung	<b>C80A476</b>	200

##### Half overlay C=9



$$H = 3 + K - (D)$$

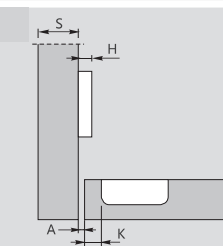


	Item No.	Pcs/ctn
Soft-close	<b>C80B476F</b>	200
Sprung	<b>C80B476</b>	200

##### Inset C=18



$$H = -6 + K + (A)$$



	Item No.	Pcs/ctn
Soft-close	<b>C80C476F</b>	200
Sprung	<b>C80C476</b>	200





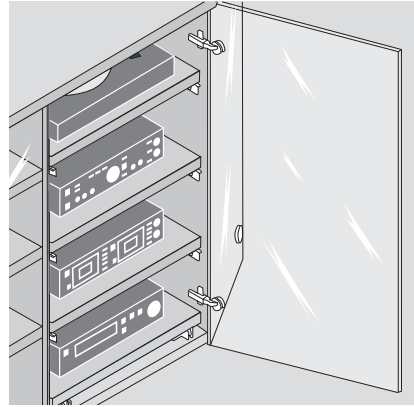
### PRODUCT



### DESCRIPTION

- Opening angle: 110°
- Depth of hinge cup: 11.5mm
- Diameter of hinge cup: 35mm
- Available glass door thickness: 4-6mm
- Possible drilling distances on the glass door(K): 3-6mm

### APPLICATION



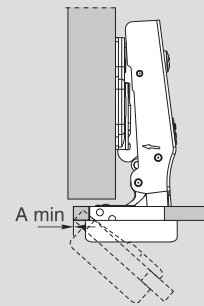
### ORDER INFORMATION



Available finishes for $\Phi$ 35mm covers	
Chrome:	C01
Dark Chrome:	C02
Bright Silver:	C03
Silver:	C04
Satin Gold:	C05
Satin Silver:	C06
Satin Chrome:	C07
Bright Gold:	C08
Silver Grey:	C09

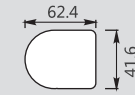
### PLANNING

#### Space needed to open the door



	T=	16	17	18	19	20	21	22	23	24	25	26
K=4	A=	0.7	0.9	1.1	1.4	1.8	2.1	2.5	3.0	3.5	4.4	4.9
K=5	A=	0.6	0.9	1.1	1.4	1.7	2.0	2.4	2.9	3.4	3.9	4.6
K=6	A=	0.6	0.8	1.1	1.3	1.6	2.0	2.4	2.8	3.2	3.8	4.4

#### Options of $\Phi$ 35mm covers:



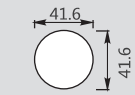
ABS oval cover

Item No.

**A2B**

Pcs/ctn

200



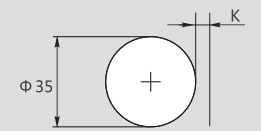
ABS round cover

Item No.

**A2C**

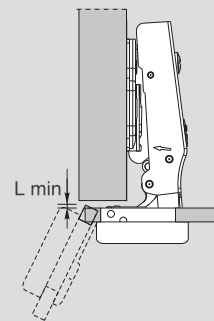
Pcs/ctn

200



Nickel plated(A01)

#### Space needed to open the door

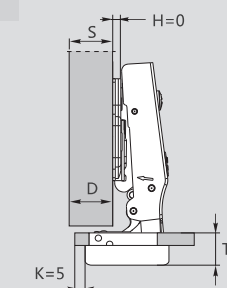


	T=	16	17	18	19	20	21	22	23	24	25	26
K=4	L=	0.0	0.0	0.0	0.0	0.0	0.0	0.2	0.4	0.7	0.9	1.1
K=5	L=	0.0	0.2	0.4	0.6	0.8	1.0	1.2	1.4	1.6	1.8	2.0
K=6	L=	0.9	1.2	1.4	1.6	1.8	2.0	2.2	2.4	2.6	2.8	3.0

- The above values are calculated on the assumption that the doors have square edges.
- They are reduced if the doors have radiussed edges.

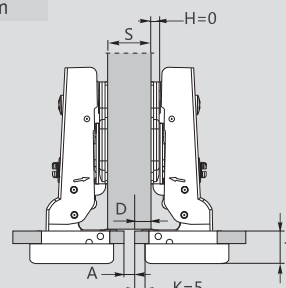
#### C=0 Application with full overlay door

D=19mm



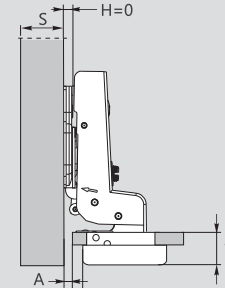
#### C=9 Application with half overlay door

D=10mm



#### C=18 Application with inset door

A=1mm

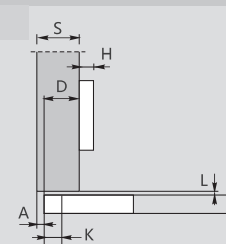


#### C80 series snap-on soft close glass hinge 110° (two way)

##### Full overlay C=0



H=12+K-(D)

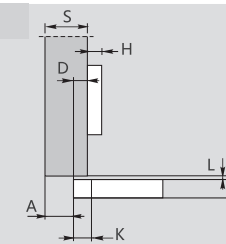


	Item No.	Pcs/ctn
Soft-close	<b>C80A470F</b>	200
Sprung	<b>C80A470</b>	200

##### Half overlay C=9



H=3+K-(D)

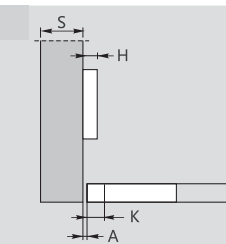


	Item No.	Pcs/ctn
Soft-close	<b>C80B470F</b>	200
Sprung	<b>C80B470</b>	200

##### Inset C=18



H=-6+K+(A)



	Item No.	Pcs/ctn
Soft-close	<b>C80C470F</b>	200
Sprung	<b>C80C470</b>	200



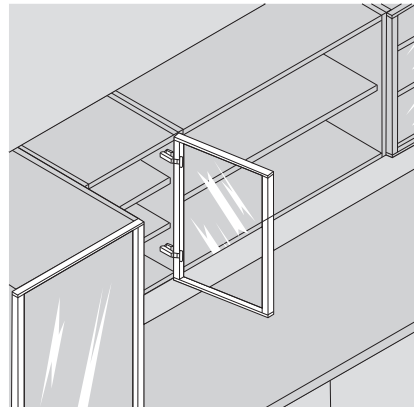
### PRODUCT



### DESCRIPTION

- Opening angle: 110°
- Drilling dimension on aluminium frame hinge head: 28mm
- Range of width of aluminium frame (V): 19-22mm

### APPLICATION

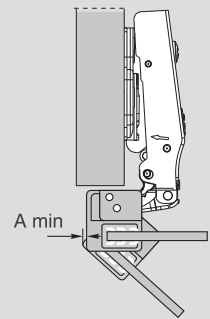


### ORDER INFORMATION



### PLANNING

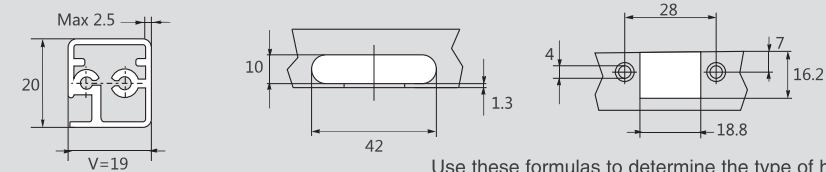
#### Space needed to open the door



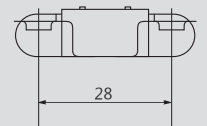
	T=	16	17	18	19	20	21	22	23	24	25	26
V=19	A=	0.7	0.9	1.2	1.5	1.8	2.2	2.6	3.2	3.8	4.5	5.3
V=20	A=	0.7	0.9	1.1	1.4	1.8	2.1	2.5	3.0	3.5	4.4	4.9
V=21	A=	0.6	0.9	1.1	1.4	1.7	2.0	2.4	2.9	3.4	3.9	4.6
V=22	A=	0.6	0.8	1.1	1.3	1.6	2.0	2.4	2.8	3.2	3.8	4.4

#### Drilling dimensions on aluminium frame

V: 19mm-22mm

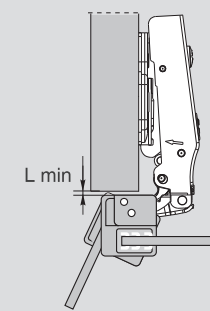


Use these formulas to determine the type of hinge arm, the drilling distance "K" and the height of the mounting plate "H" for each door application.



Nickel plated(A01)

#### Space needed to open the door



	T=	16	17	18	19	20	21	22	23	24	25	26
V=19	L=	0.0	0.0	0.0	0.0	0.0	0.0	0.0	0.0	0.0	0.0	0.1
V=20	L=	0.0	0.0	0.0	0.0	0.0	0.0	0.2	0.4	0.7	0.9	1.1
V=21	L=	0.0	0.2	0.4	0.6	0.8	1.0	1.2	1.4	1.6	1.8	2.0
V=22	L=	0.9	1.2	1.4	1.6	1.8	2.0	2.2	2.4	2.6	2.8	3.0

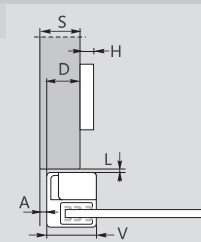
- The above values are calculated on the assumption that the doors have square edges.
- They are reduced if the doors have radiused edges.

#### C80 series snap-on soft close ai frame hinge 110° (two way)

##### Full overlay C=0



##### H=-2+V-(D)

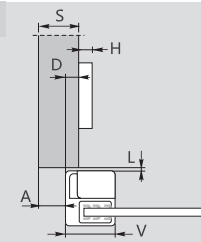


	Item No.	Pcs/ctn
Soft-close	<b>C80A478F</b>	200
Sprung	<b>C80A478</b>	200

##### Half overlay C=9



##### H=-11+V-(D)

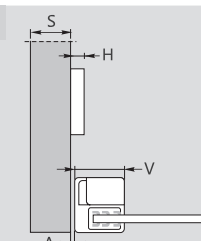


	Item No.	Pcs/ctn
Soft-close	<b>C80B478F</b>	200
Sprung	<b>C80B478</b>	200

##### Inset C=18



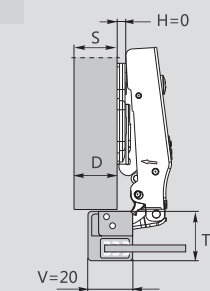
##### H=-20.5+V+(A)



	Item No.	Pcs/ctn
Soft-close	<b>C80C478F</b>	200
Sprung	<b>C80C478</b>	200

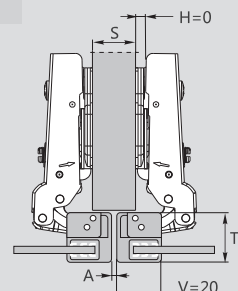
#### C=0 Application with full overlay door

D=18mm



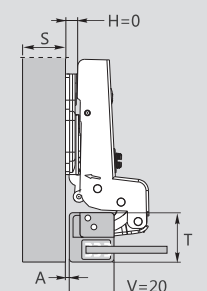
#### C=9 Application with half overlay door

D=9mm



#### C=18 Application with inset door

A=0.5mm





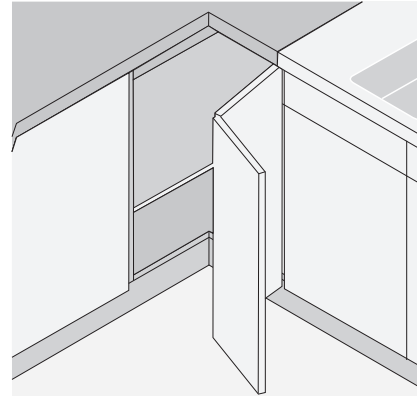
### PRODUCT



### DESCRIPTION

- Opening angle: 110°
- Depth of hinge cup: 11.5mm
- Diameter of hinge cup: 35mm
- Range of door thickness: 16-26mm
- Possible drilling distances on the door(K): 3-6mm

### APPLICATION



### ORDER INFORMATION

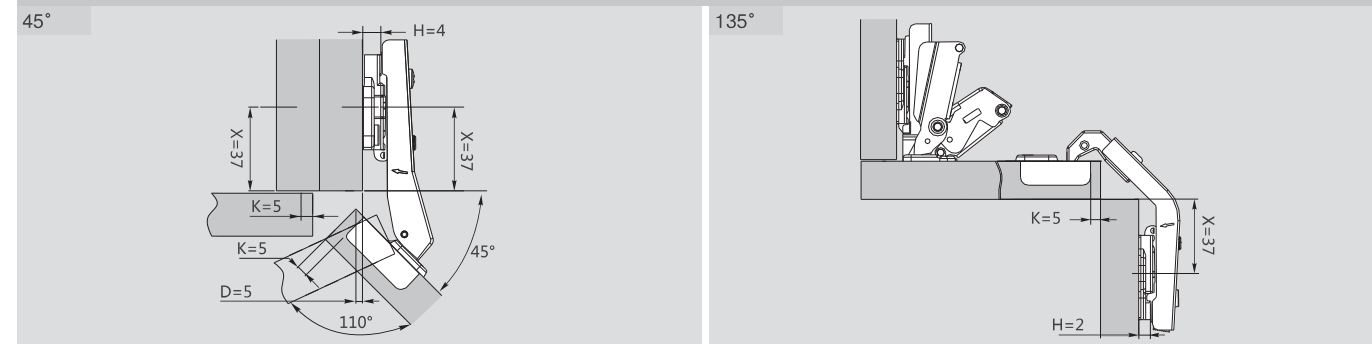


#### $\Phi$ 35mm Options of screws and dowels:

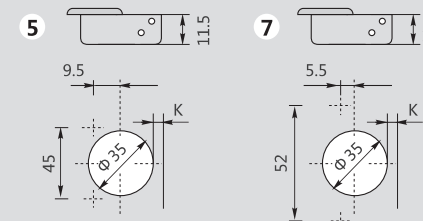
M10 dowel Dowel No: M	Expandable dowel Dowel No: K
M8 dowel Dowel No: N	Expandable dowel Dowel No: K0
Euro screw Dowel No: B	Quick dowel Dowel No: T0

### $\Phi$ 35MM CORNER DOOR, BI-FOLD DOOR, -45° ~45° ANGLED HINGE APPLICATIONS

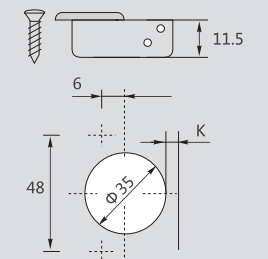
#### Kitchen corner door applications



#### $\Phi$ 35mm Hinge cup types

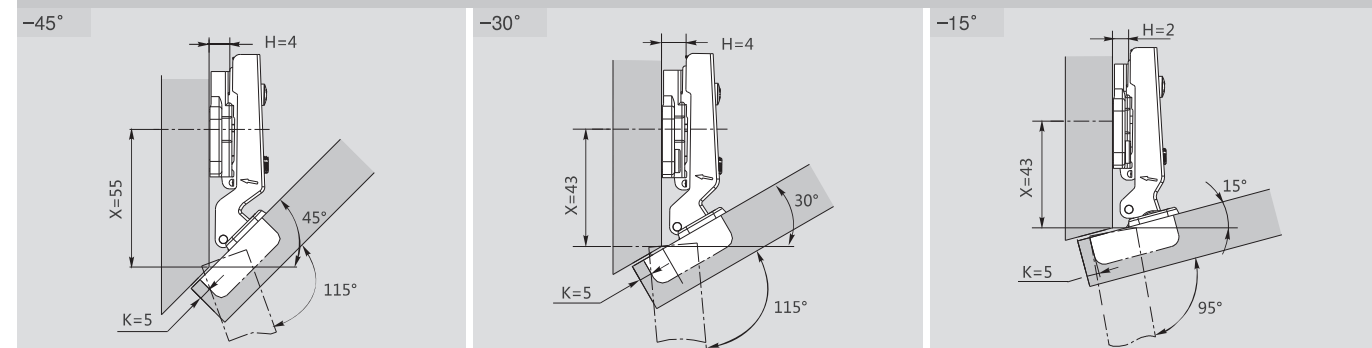


The solution of assembly problems where doors are mounted at a positive or negative angle requires the verification of drilling distances by a practical trial. Please do not hesitate to consult our technical support department for assistance.

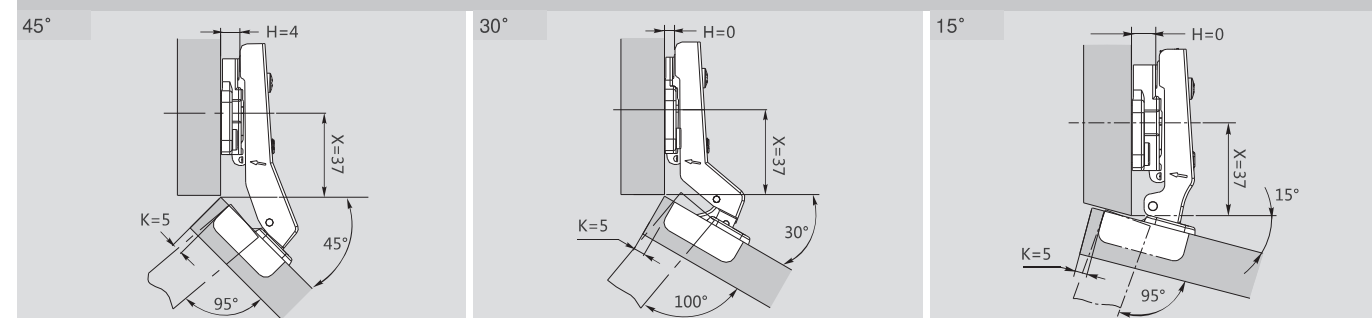


Nickel plated(A01)

#### Negative angled hinge applications



#### Positive angled hinge applications



#### C80 series snap-on soft close angled hinge 110° (two way)

Overlay 30°	Small Overlay 45°												
<p>Adjustment range of D: -0.6 to +3.4</p> <p>Adjustment range of D1: +2.0 to -4.0</p>	<p>Adjustment range of L: -0.6 to +3.4</p> <p>Adjustment range of D1: +2.0 to -4.0</p>												
<table border="1"> <thead> <tr> <th>Item No.</th> <th>Pcs/ctn</th> </tr> </thead> <tbody> <tr> <td>Soft-close C80W476F</td> <td>200</td> </tr> <tr> <td>Sprung C80W476</td> <td>200</td> </tr> </tbody> </table>	Item No.	Pcs/ctn	Soft-close C80W476F	200	Sprung C80W476	200	<table border="1"> <thead> <tr> <th>Item No.</th> <th>Pcs/ctn</th> </tr> </thead> <tbody> <tr> <td>Soft-close C80E476F</td> <td>200</td> </tr> <tr> <td>Sprung C80E476</td> <td>200</td> </tr> </tbody> </table>	Item No.	Pcs/ctn	Soft-close C80E476F	200	Sprung C80E476	200
Item No.	Pcs/ctn												
Soft-close C80W476F	200												
Sprung C80W476	200												
Item No.	Pcs/ctn												
Soft-close C80E476F	200												
Sprung C80E476	200												



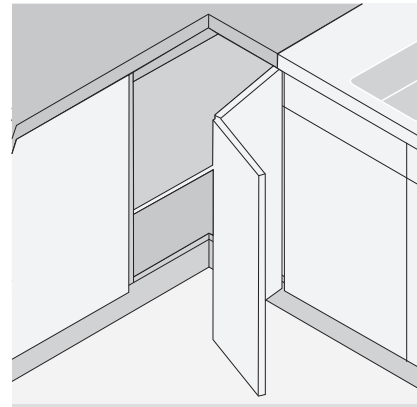
### PRODUCT



### DESCRIPTION

- Opening angle: 110°
- Depth of hinge cup: 11.5mm
- Diameter of hinge cup: 35mm
- Range of door thickness: 16-26mm
- Possible drilling distances on the door(K): 3-6mm

### APPLICATION



### ORDER INFORMATION

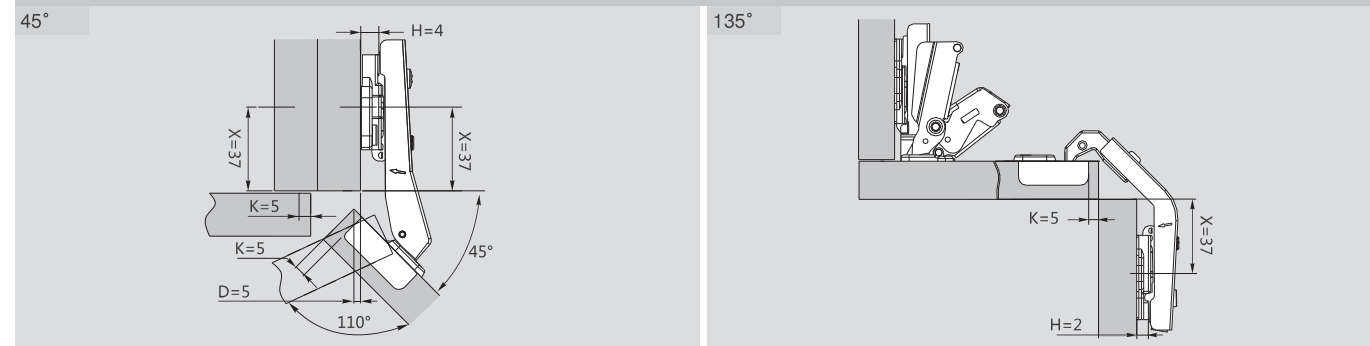


#### $\Phi$ 35mm Options of screws and dowels:

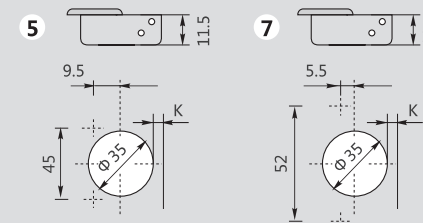
M10 dowel Dowel No: M	Expandable dowel Dowel No: K
M8 dowel Dowel No: N	Expandable dowel Dowel No: K0
Euro screw Dowel No: B	Quick dowel Dowel No: T0

### $\Phi$ 35MM CORNER DOOR, BI-FOLD DOOR, -45° ~45° ANGLED HINGE APPLICATIONS

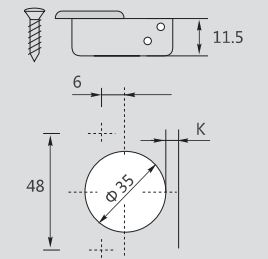
#### Kitchen corner door applications



#### $\Phi$ 35mm Hinge cup types

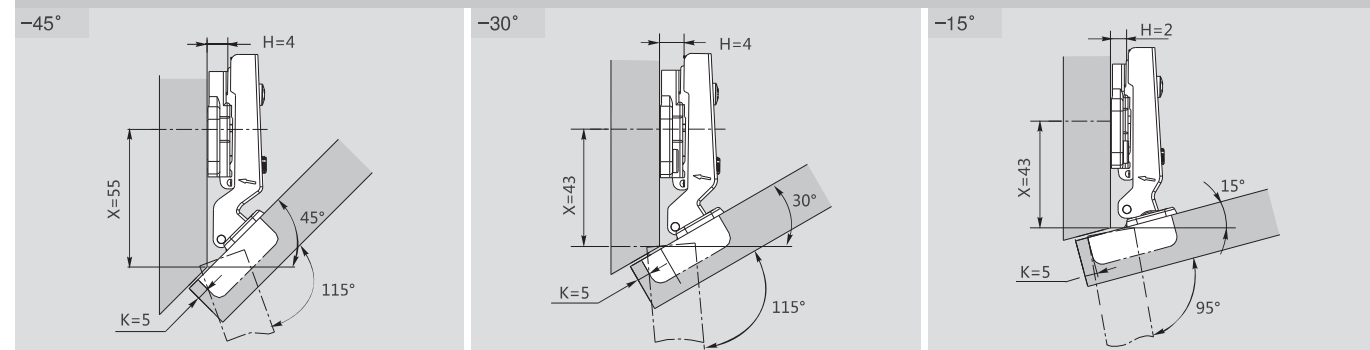


The solution of assembly problems where doors are mounted at a positive or negative angle requires the verification of drilling distances by a practical trial. Please do not hesitate to consult our technical support department for assistance.

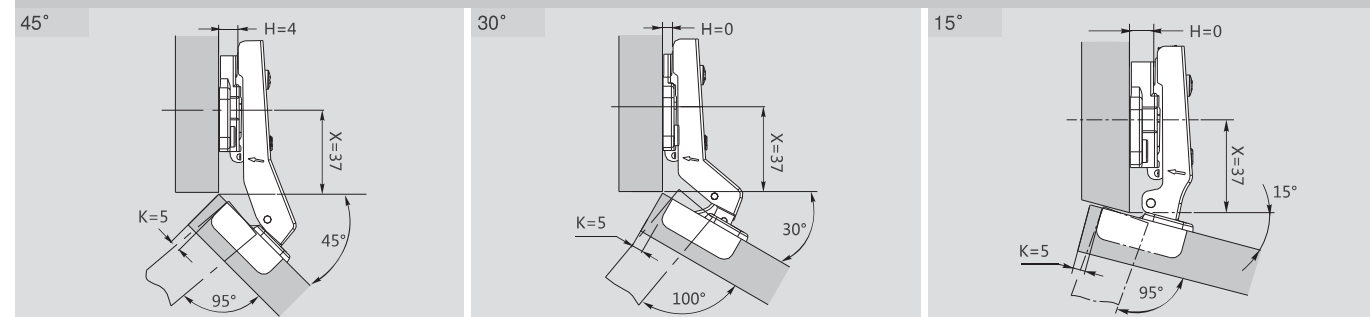


Nickel plated(A01)

#### Negative angled hinge applications



#### Positive angled hinge applications



#### C80 series snap-on soft close angled hinge 110° (two way)

90°		90°													
	<p>Adjustment range of D: -4.0 <math>\leftrightarrow</math> +2.0</p>		<p>Adjustment range of D: -4.0 <math>\leftrightarrow</math> +2.0</p>												
	<p>Adjustment range of L: -0.6 <math>\leftrightarrow</math> +3.4</p>		<p>Adjustment range of L: -0.6 <math>\leftrightarrow</math> +3.4</p>												
	<table border="1"> <thead> <tr> <th>Item No.</th> <th>Pcs/ctn</th> </tr> </thead> <tbody> <tr> <td>Soft-close <b>C80J476F</b></td> <td>200</td> </tr> <tr> <td>Sprung <b>C80J476</b></td> <td>200</td> </tr> </tbody> </table>	Item No.	Pcs/ctn	Soft-close <b>C80J476F</b>	200	Sprung <b>C80J476</b>	200		<table border="1"> <thead> <tr> <th>Item No.</th> <th>Pcs/ctn</th> </tr> </thead> <tbody> <tr> <td>Soft-close <b>C80G476F</b></td> <td>200</td> </tr> <tr> <td>Sprung <b>C80G476</b></td> <td>200</td> </tr> </tbody> </table>	Item No.	Pcs/ctn	Soft-close <b>C80G476F</b>	200	Sprung <b>C80G476</b>	200
Item No.	Pcs/ctn														
Soft-close <b>C80J476F</b>	200														
Sprung <b>C80J476</b>	200														
Item No.	Pcs/ctn														
Soft-close <b>C80G476F</b>	200														
Sprung <b>C80G476</b>	200														



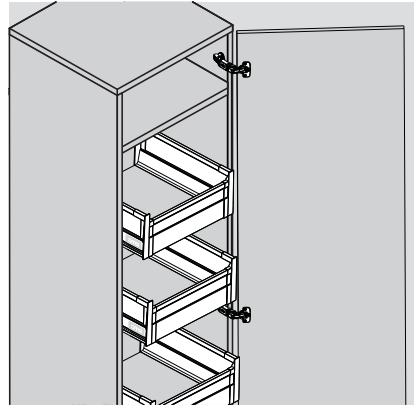
### PRODUCT



### DESCRIPTION

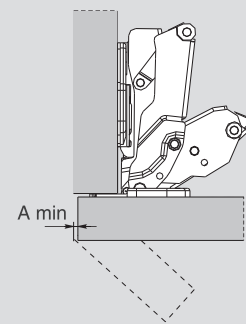
- Opening angle: 155°
- Depth of hinge cup: 11.5mm
- Diameter of hinge cup: 35mm
- Range of door thickness: 16-24mm
- Possible drilling distances on the door(K): 3-6mm

### APPLICATION



### PLANNING

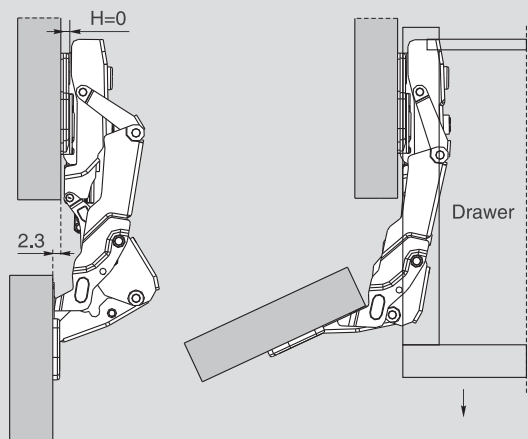
#### Space needed to open the door



	T=	16	17	18	19	20	21	22	23	24		
K=3	A=	0	0	0	0	0	0	0	0	0		
K=4	A=	0	0	0	0	0	0	0	0	0		
K=5	A=	0	0	0	0	0	0	0	0	0		
K=6	A=	0	0	0	0	0	0	0	0	0		

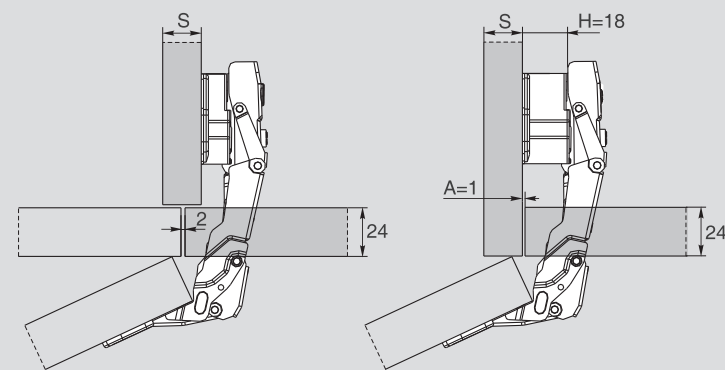
#### Application

The door combined with a mounting plate H=0, opens at 90° with a 2.3mm protrusion allowing objects (e.g. drawers) move from inside of the cabinet.



Full overlay C=0

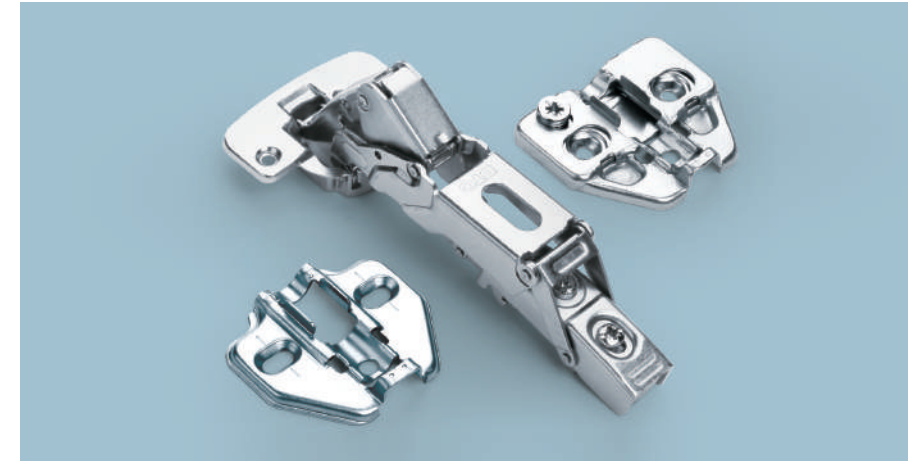
No gap is required when door thickness is less than 24mm. A trial assembly is recommended when door thickness is more than 24mm.



Half overlay C=9

Inset C=18

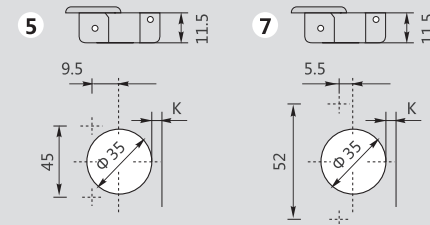
### ORDER INFORMATION



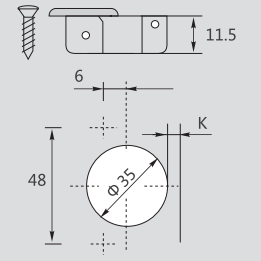
#### $\Phi$ 35mm Options of screws and dowels:

M10 dowel Dowel No: M	Expandable dowel Dowel No: K0
M8 dowel Dowel No: N	Quick dowel Dowel No: T0
Expandable dowel Dowel No: K	

#### $\Phi$ 35mm Hinge cup types



Use these formulas to determine the type of hinge arm, the drilling distance "K" and the height of the mounting plate "H" for each door application.



Nickel plated(A01)

#### C80 series snap-on soft close hinge 155° (two way)

Full overlay C=0		Small overlay C=4		Half overlay C=9		Inset C=18					
H=11+K-(D)		H=11+K-(D)		H=11+K-(D)		H=12+K-(D)					
H=0 Mounting plate only	Item No.	Pcs/ctn	H=4 Mounting plate only	Item No.	Pcs/ctn	H=9 Mounting plate only	Item No.	Pcs/ctn	H=18 Mounting plate only	Item No.	Pcs/ctn
Soft-close	<b>C80A506F</b>	100	Soft-close	<b>C80A506F</b>	100	Soft-close	<b>C80A506F</b>	100	Soft-close	<b>C80A506F</b>	100
Sprung	<b>C80A506</b>	100	Sprung	<b>C80A506</b>	100	Sprung	<b>C80A506</b>	100	Sprung	<b>C80A506</b>	100



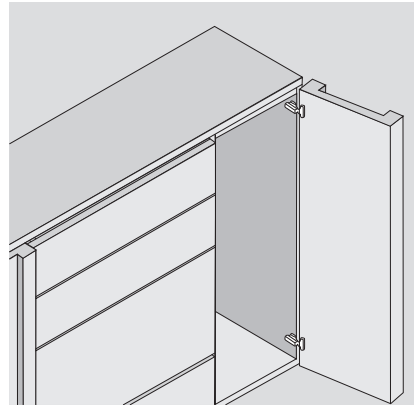
### PRODUCT



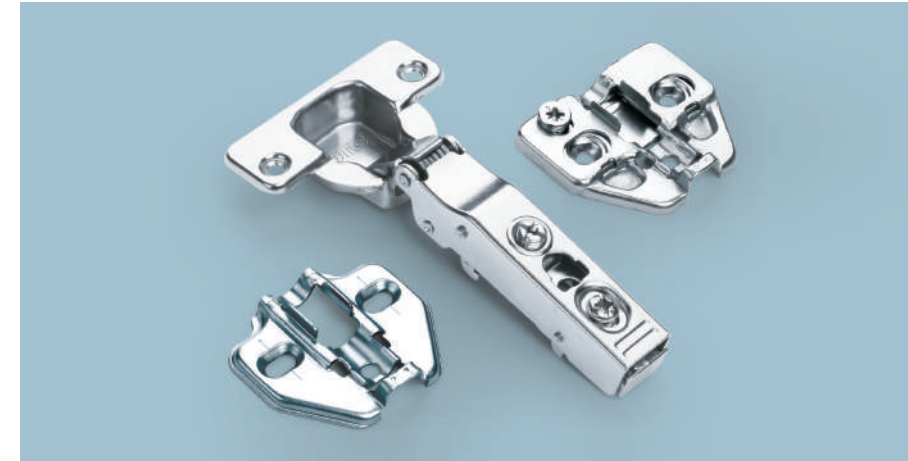
### DESCRIPTION

- Opening angle: 95°
- Depth of hinge cup: 11.5mm
- Diameter of hinge cup: 35mm
- Range of door thickness: 19-35mm
- Possible drilling distances on the door(K): 3-9mm

### APPLICATION



### ORDER INFORMATION

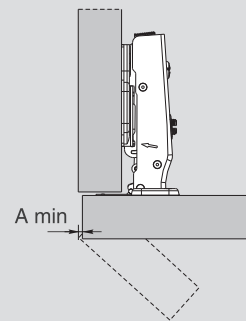


#### $\Phi$ 35mm Options of screws and dowels:

M10 dowel Dowel No: M	Expandable dowel Dowel No: K
M8 dowel Dowel No: N	Expandable dowel Dowel No: K0
Euro screw Dowel No: B	Quick dowel Dowel No: T0

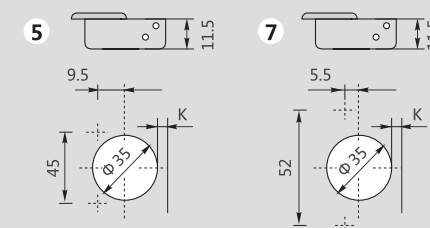
### PLANNING

#### Space needed to open the door

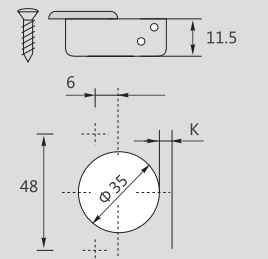


T=	19	20	21	22	23	24	25	26	27	28	29	30	31	32 - 35
K=3 A=	0.1	0.2	0.3	0.4	0.5	0.7	0.9	1.3	2.2	3.2	4.1	5.0	6.0	7.0 - 10
K=4 A=	0.1	0.2	0.3	0.4	0.5	0.7	0.8	1.0	1.6	2.5	3.5	4.4	5.3	6.3 - 9.1
K=5 A=	0.1	0.2	0.3	0.4	0.5	0.7	0.8	1.0	1.2	2.0	2.9	3.7	4.7	5.6 - 8.4
K=6 A=	0.1	0.2	0.3	0.4	0.5	0.6	0.8	1.0	1.2	1.4	2.3	3.2	4.1	5.0 - 7.8
K=7 A=	0.1	0.2	0.3	0.4	0.5	0.6	0.8	1.0	1.2	1.4	1.8	2.7	3.6	4.4 - 7.0
K=8 A=	0.1	0.2	0.3	0.4	0.5	0.6	0.8	1.0	1.1	1.4	1.6	2.2	3.1	3.9 - 6.5
K=9 A=	0.1	0.2	0.3	0.4	0.5	0.6	0.8	0.9	1.1	1.3	1.6	1.8	2.6	3.4 - 6.0

#### $\Phi$ 35mm Hinge cup types

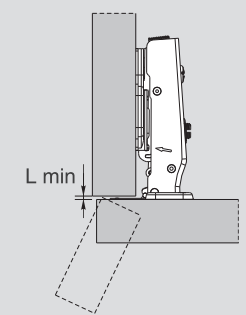


Use these formulas to determine the type of hinge arm, the drilling distance "K" and the height of the mounting plate "H" for each door application.



Nickel plated(A01)

#### Space needed to open the door

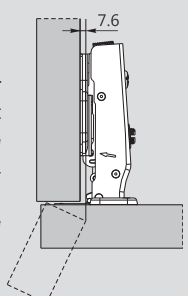


T=	19	20	21	22	23	24	25	26	27	28	29	30	31	32 - 35
K=3 L=	0.0	0.0	0.0	0.0	0.0	0.0	0.0	0.0	0.0	0.0	0.0	0.0	0.0	0.0 - 0.0
K=4 L=	0.0	0.0	0.0	0.0	0.0	0.0	0.0	0.0	0.0	0.0	0.0	0.0	0.0	0.0 - 0.0
K=5 L=	0.0	0.0	0.0	0.0	0.0	0.0	0.0	0.0	0.2	0.2	0.3	0.4	0.5	0.5 - 0.7
K=6 L=	0.3	0.4	0.5	0.6	0.7	0.7	0.8	0.9	1.0	1.2	1.2	1.3	1.4	1.5 - 1.7
K=7 L=	1.3	1.4	1.5	1.6	1.7	1.7	1.8	1.9	2.0	2.2	2.2	2.3	2.4	2.5 - 2.7
K=8 L=	2.3	2.4	2.5	2.6	2.7	2.7	2.8	2.9	3.0	3.2	3.2	3.3	3.4	3.5 - 3.7
K=9 L=	3.3	3.4	3.5	3.6	3.7	3.7	3.8	3.9	4.0	4.2	4.2	4.3	4.4	4.5 - 4.7

- The above values are calculated on the assumption that the doors have square edges.
- They are reduced if the doors have radiussed edges.

#### Projection of the door

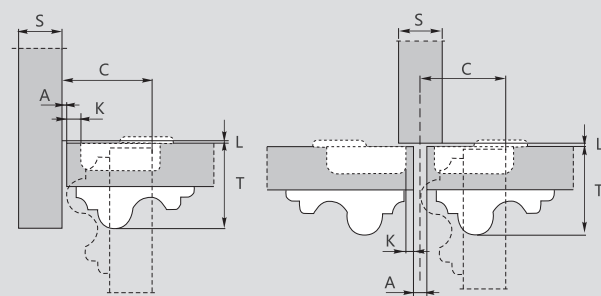
Projection of the door from the cabinet side at the max. opening. The figures are based on a straight arm hinge, H=0mm mounting plate and drilling distance (K)=3mm.



#### "C" value

$$C = 22 + K + A$$

With this formula you can obtain the max. thickness of the moulded door that can be opened without touching adjacent carcass sides, doors or walls, whilst bearing in mind the above L-K-T values.

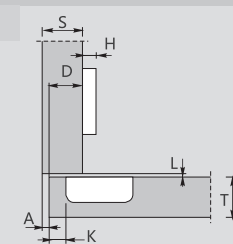


#### C80 series snap-on soft close hinge 95° (two way)

##### Full overlay C=0



$$H = 12 + K - (D)$$

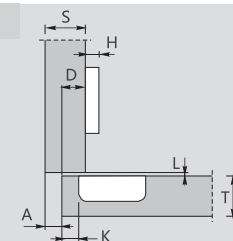


	Item No.	Pcs/ctn
Soft-close	<b>C80A416F</b>	200
Sprung	<b>C80A416</b>	200

##### Half overlay C=9



$$H = 3 + K - (D)$$

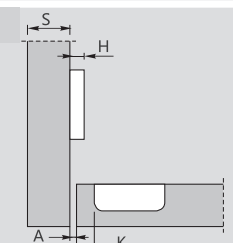


	Item No.	Pcs/ctn
Soft-close	<b>C80B416F</b>	200
Sprung	<b>C80B416</b>	200

##### Inset C=18



$$H = -6 + K + (A)$$



	Item No.	Pcs/ctn
Soft-close	<b>C80C416F</b>	200
Sprung	<b>C80C416</b>	200



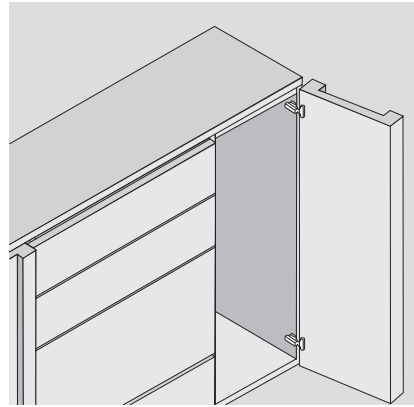
### PRODUCT



### DESCRIPTION

- Opening angle: 95°
- Depth of hinge cup: 13mm
- Diameter of hinge cup: 40mm
- Range of door thickness: 20-40mm
- Possible drilling distances on the door(K): 3-15mm

### APPLICATION



### ORDER INFORMATION

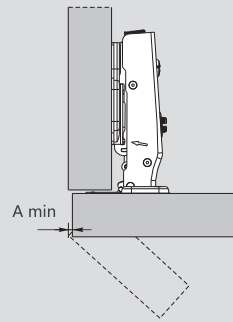


#### $\Phi$ 40mm Options of screws and dowels:

M10 dowel Dowel No: M	Expandable dowel Dowel No: K
M8 dowel Dowel No: N	Expandable dowel Dowel No: K0
Euro screw Dowel No: B	Quick dowel Dowel No: T0

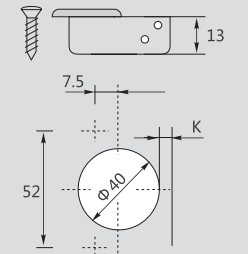
### PLANNING

#### Space needed to open the door



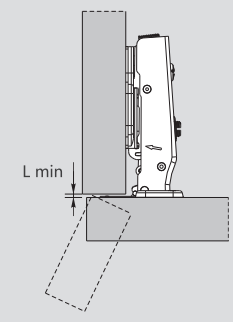
	T=	20	21	22	23	24	25	26	27	28	29	30	31	32	33 - 40
K=3	A=	0.3	0.5	0.6	0.8	1.0	1.2	1.4	1.6	1.9	2.2	2.5	2.8	3.2	3.5 - 9.7
K=4	A=	0.3	0.5	0.6	0.8	1.0	1.2	1.4	1.6	1.9	2.1	2.4	2.8	3.1	3.4 - 9.1
K=5	A=	0.3	0.5	0.6	0.8	0.9	1.1	1.4	1.6	1.8	2.1	2.4	2.7	3.0	3.4 - 8.5
K=6	A=	0.3	0.5	0.6	0.8	0.9	1.1	1.3	1.6	1.8	2.1	2.3	2.7	3.0	3.3 - 7.9
K=7	A=	0.3	0.4	0.6	0.7	0.9	1.1	1.3	1.5	1.8	2.0	2.3	2.6	2.9	3.3 - 7.3
K=8	A=	0.3	0.4	0.6	0.7	0.9	1.1	1.3	1.5	1.7	2.0	2.3	2.6	2.9	3.2 - 6.9
		-	-	-	-	-	-	-	-	-	-	-	-	-	- -
K=15	A=	0.3	0.4	0.5	0.6	0.8	1.0	1.1	1.3	1.6	1.8	2.0	2.3	2.5	2.8 - 5.4

Use these formulas to determine the type of hinge arm, the drilling distance "K" and the height of the mounting plate "H" for each door application.



Nickel plated(A01)

#### Space needed to open the door

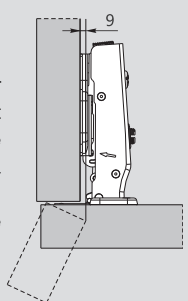


	T=	20	21	22	23	24	25	26	27	28	29	30	31	32	33 - 40
K=3-9	L=	0.0	0.0	0.0	0.0	0.0	0.0	0.0	0.0	0.0	0.0	0.0	0.0	0.0	0.0 - 0.0
K=10	L=	0.0	0.0	0.0	0.0	0.0	0.0	0.0	0.0	0.0	0.0	0.1	0.1	0.2	0.3 - 0.8
K=11	L=	0.4	0.5	0.6	0.7	0.7	0.8	0.9	0.9	1.0	1.1	1.1	1.2	1.3	1.4 - 1.8
K=12	L=	1.4	1.5	1.6	1.7	1.7	1.8	1.9	1.9	2.0	2.1	2.1	2.2	2.3	2.4 - 2.8
K=13	L=	2.4	2.5	2.6	2.7	2.7	2.8	2.9	2.9	3.0	3.1	3.1	3.2	3.3	3.3 - 3.8
K=14	L=	3.4	3.5	3.6	3.6	3.7	3.8	3.9	3.9	4.0	4.1	4.1	4.2	4.3	4.3 - 4.8
K=15	L=	4.4	4.5	4.6	4.6	4.7	4.8	4.9	4.9	5.0	5.1	5.1	5.2	5.3	5.3 - 5.8

- The above values are calculated on the assumption that the doors have square edges.
- They are reduced if the doors have radiused edges.

#### Projection of the door

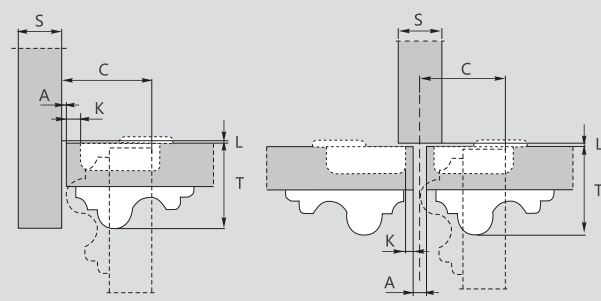
Projection of the door from the cabinet side at the max. opening. The figures are based on a straight arm hinge, H=0mm mounting plate and drilling distance (K)=3mm.



#### "C" value

$$C=28+K+A$$

With this formula you can obtain the max. thickness of the moulded door that can be opened without touching adjacent carcass sides, doors or walls, whilst bearing in mind the above L-K-T values.

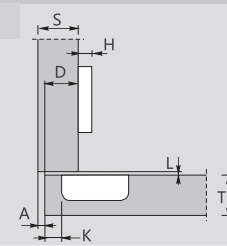


#### C80 series $\Phi$ 40mm snap-on soft close hinge 95° (two way)

##### Full overlay C=0



$$H=18+K-(D)$$

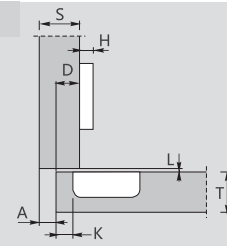


	Item No.	Pcs/ctn
Soft-close	<b>C80A497F</b>	200
Sprung	<b>C80A497</b>	200

##### Half overlay C=9



$$H=9+K-(D)$$

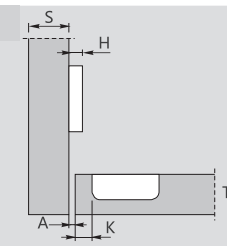


	Item No.	Pcs/ctn
Soft-close	<b>C80B497F</b>	200
Sprung	<b>C80B497</b>	200

##### Inset C=24



$$H=-6+K+(A)$$



	Item No.	Pcs/ctn
Soft-close	<b>C80C497F</b>	200
Sprung	<b>C80C497</b>	200



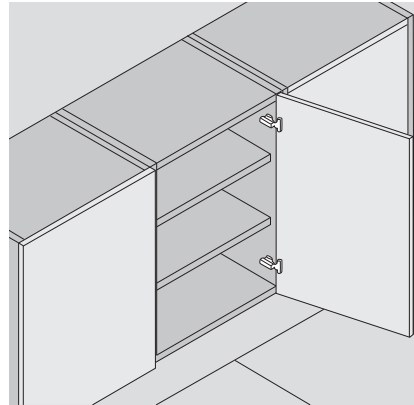
### PRODUCT



### DESCRIPTION

- Opening angle: 100°
- Depth of hinge cup: 10mm
- Diameter of hinge cup: 26mm
- Range of door thickness: 12-22mm
- Possible drilling distances on the door(K): 3-7mm

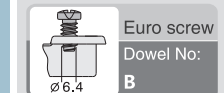
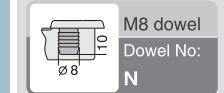
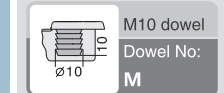
### APPLICATION



### ORDER INFORMATION

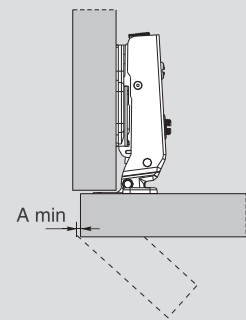


#### $\Phi$ 26mm Options of screws and dowels:



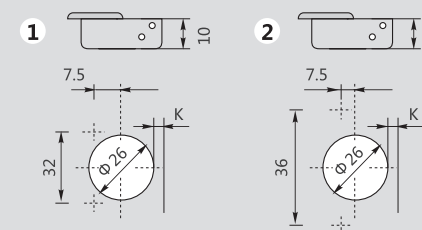
### PLANNING

#### Space needed to open the door

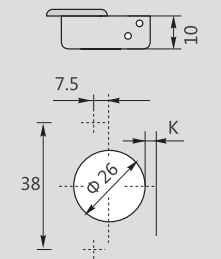


	T=	12	13	14	15	16	17	18	19	20	21	22
K=3	A=	0.5	0.8	1.1	1.4	1.9	2.6	3.4	4.2	5.1	6.0	6.9
K=4	A=	0.5	0.7	1.0	1.4	1.8	2.3	3.0	3.8	4.6	5.4	6.3
K=5	A=	0.5	0.7	1.0	1.3	1.7	2.2	2.8	3.4	4.2	5.0	5.8
K=6	A=	0.4	0.6	0.9	1.2	1.6	2.0	2.5	3.2	3.9	4.6	5.4
K=7	A=	0.4	0.6	0.9	1.2	1.5	1.9	2.4	2.9	3.6	4.3	5.0

#### $\Phi$ 26mm Hinge cup types

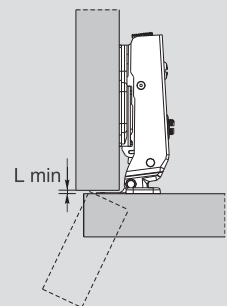


Use these formulas to determine the type of hinge arm, the drilling distance "K" and the height of the mounting plate "H" for each door application.



Nickel plated(A01)

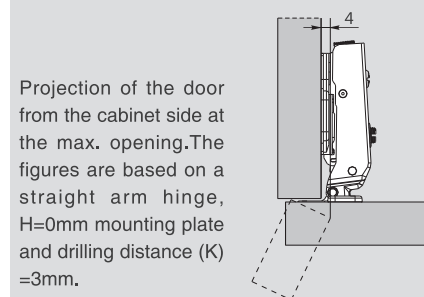
#### Space needed to open the door



	T=	12	13	14	15	16	17	18	19	20	21	22
K=3	L=	0.0	0.0	0.0	0.0	0.0	0.1	0.1	0.3	0.5	0.6	0.8
K=4	L=	0.0	0.2	0.4	0.6	0.7	0.9	1.1	1.3	1.4	1.6	1.8
K=5	L=	1.0	1.2	1.4	1.6	1.7	1.9	2.1	2.2	2.4	2.6	2.8
K=6	L=	2.0	2.2	2.4	2.5	2.7	2.9	3.1	3.2	3.4	3.6	3.8
K=7	L=	3.0	3.2	3.4	3.5	3.7	3.9	4.0	4.2	4.4	4.6	4.7

- The above values are calculated on the assumption that the doors have square edges.
- They are reduced if the doors have radiused edges.

#### Projection of the door

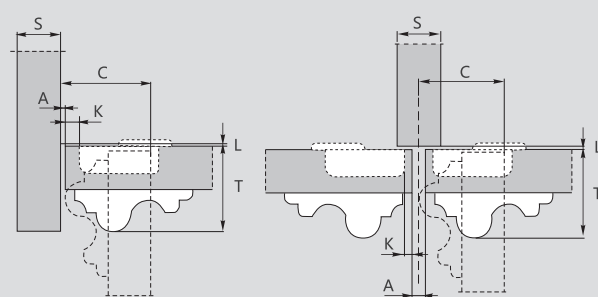


Projection of the door from the cabinet side at the max. opening. The figures are based on a straight arm hinge, H=0mm mounting plate and drilling distance (K) =3mm.

#### "C" value

$$C=13+K+A$$

With this formula you can obtain the max. thickness of the moulded door that can be opened without touching adjacent carcass sides, doors or walls, whilst bearing in mind the above L-K-T values.

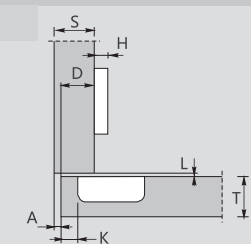


#### C80 series snap-on soft close mini hinge 100° (one way)

##### Full overlay C=0



$$H=10.5+K-(D)$$

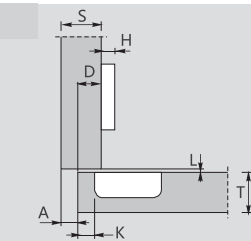


	Item No.	Pcs/ctn
Soft-close	<b>C80A4A3F</b>	200
Sprung	<b>C80A4A3</b>	200

##### Half overlay C=9



$$H=1.5+K-(D)$$

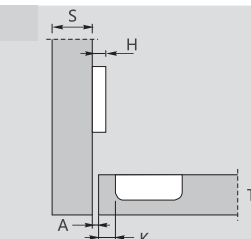


	Item No.	Pcs/ctn
Soft-close	<b>C80B4A3F</b>	200
Sprung	<b>C80B4A3</b>	200

##### Inset C=16.5



$$H=-8.5+K+(A)$$



	Item No.	Pcs/ctn
Soft-close	<b>C80C4A3F</b>	200
Sprung	<b>C80C4A3</b>	200



# PIVOT-PRO

C80 Series  $\Phi$  26mm Soft-close Mini Glass Hinges



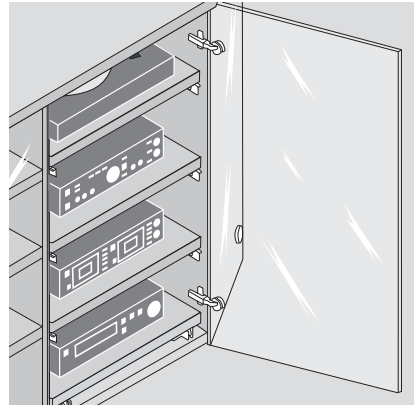
## PRODUCT



## DESCRIPTION

- Opening angle: 95°
- Depth of hinge cup: 10.6mm
- Diameter of hinge cup: 26mm
- Available glass door thickness: 4-6mm
- Possible drilling distances on the glass door(K): 4-7mm

## APPLICATION



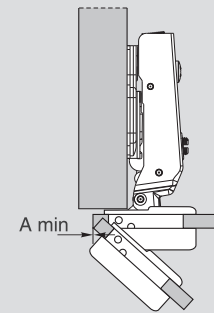
## ORDER INFORMATION



Available finishes for $\Phi$ 26mm covers	
Chrome:	C01
Dark Chrome:	C02
Bright Silver:	C03
Silver:	C04
Satin Gold:	C05
Satin Silver:	C06
Satin Chrome:	C07
Bright Gold:	C08
Silver Grey:	C09

## PLANNING

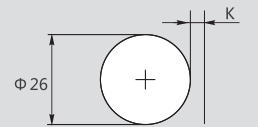
### Space needed to open the door



T=	12	13	14	15	16	17	18	19	20	21	22
K=4	A= 0.5	0.7	1.0	1.4	1.8	2.3	3.0	3.8	4.6	5.4	6.3
K=5	A= 0.5	0.7	1.0	1.3	1.7	2.2	2.8	3.4	4.2	5.0	5.8
K=6	A= 0.4	0.6	0.9	1.2	1.6	2.0	2.5	3.2	3.9	4.6	5.4
K=7	A= 0.4	0.6	0.9	1.2	1.5	1.9	2.4	2.9	3.6	4.3	5.0

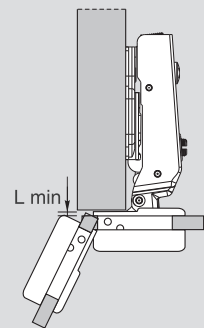
### Options of $\Phi$ 26mm covers:

	40.6		32.6	Item No.	Pcs/ctn
	31.6		32.6	ABS oval cover	P2B 200
				ABS round cover	P2C 200
	40.6		32.6	Item No.	Pcs/ctn
	31.6		32.6	Metal oval cover	Z3B 200
				Metal round cover	Z3C 200



Nickel plated(A01)

### Space needed to open the door



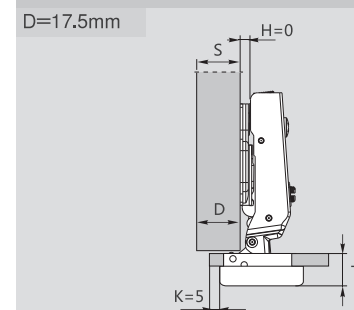
T=	12	13	14	15	16	17	18	19	20	21	22
K=4	L= 0.0	0.2	0.4	0.6	0.7	0.9	1.1	1.3	1.4	1.6	1.8
K=5	L= 1.0	1.2	1.4	1.6	1.7	1.9	2.1	2.2	2.4	2.6	2.8
K=6	L= 2.0	2.2	2.4	2.5	2.7	2.9	3.1	3.2	3.4	3.6	3.8
K=7	L= 3.0	3.2	3.4	3.5	3.7	3.9	4.0	4.2	4.4	4.6	4.7

- The above values are calculated on the assumption that the doors have square edges.
- They are reduced if the doors have radiussed edges.

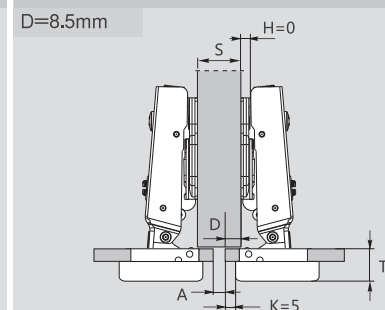
### C80 series snap-on soft close mini glass hinge 100° (one way)

Full overlay C=0		$H=10.5+K-(D)$		Item No.	Pcs/ctn
				Soft-close	C80A411F 200
				Sprung	C80A411 200
Half overlay C=9		$H=1.5+K-(D)$		Item No.	Pcs/ctn
				Soft-close	C80B411F 200
				Sprung	C80B411 200
Inset C=17		$H=-8.5+K+(A)$		Item No.	Pcs/ctn
				Soft-close	C80C411F 200
				Sprung	C80C411 200

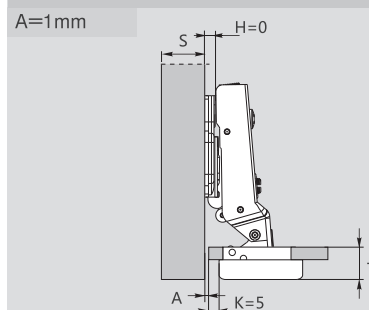
### C=0 Application with full overlay door



### C=9 Application with half overlay door



### C=17 Application with inset door





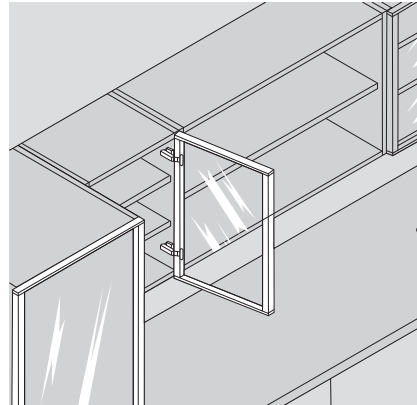
### PRODUCT



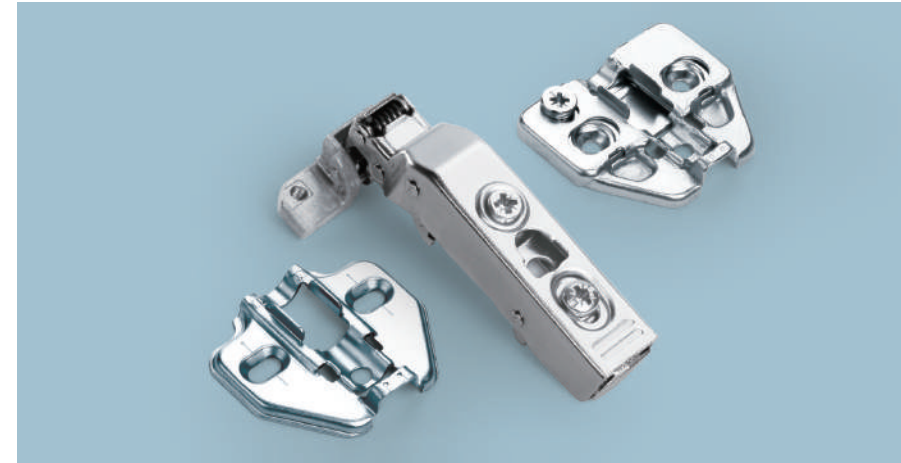
### DESCRIPTION

- Opening angle: 100°
- Drilling dimension on aluminium frame hinge head: 32mm
- Range of width of aluminium frame (V) : 9.8mm

### APPLICATION

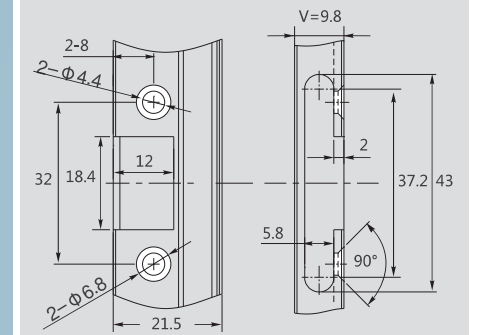


### ORDER INFORMATION



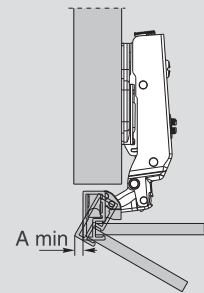
#### Drilling Dimensions on Aluminium Frame

V: 9.8mm



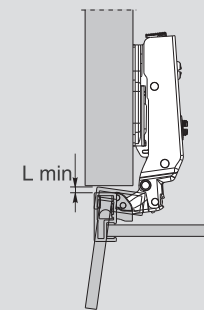
### PLANNING

#### Space needed to open the door



	T=	21.5													
V=9.8	A=	5.4													

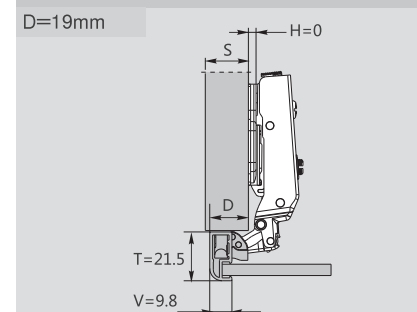
#### Space needed to open the door



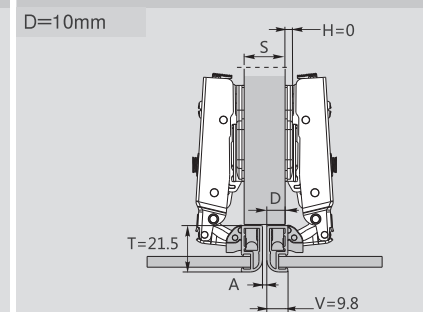
	T=	21.5													
V=9.8	L=	3.8													

- The above values are calculated on the assumption that the doors have square edges.
- They are reduced if the doors have radiussed edges.

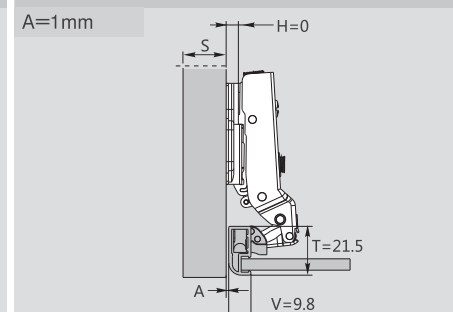
#### C=0 Application with full overlay door



#### C=9 Application with half overlay door



#### C=17 Application with inset door

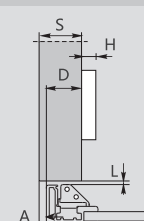


#### C80 series snap-on soft close mini al frame hinge 100° (one way)

##### Full overlay C=0



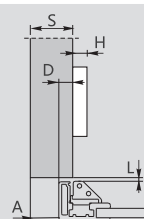
$$H=7+V-(D)$$



##### Half overlay C=9



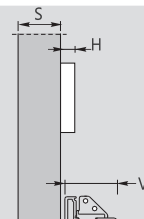
$$H=-2+V-(D)$$



##### Inset C=17



$$H=-15+V+(A)$$



	Item No.	Pcs/ctn
Soft-close	<b>C80A4A2F</b>	200
Sprung	<b>C80A4A2</b>	200

	Item No.	Pcs/ctn
Soft-close	<b>C80B4A2F</b>	200
Sprung	<b>C80B4A2</b>	200

	Item No.	Pcs/ctn
Soft-close	<b>C80C4A2F</b>	200
Sprung	<b>C80C4A2</b>	200



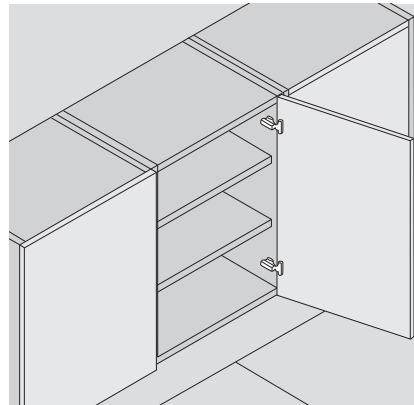
### PRODUCT



### DESCRIPTION

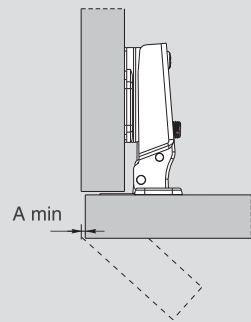
- Opening angle: 110°
- Depth of hinge cup: 11.5mm
- Diameter of hinge cup: 35mm
- Range of door thickness: 16-26mm
- Possible drilling distances on the door(K): 3-6mm

### APPLICATION



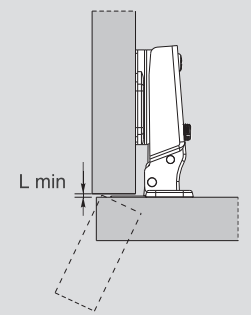
### PLANNING

#### Space needed to open the door



T=	16	17	18	19	20	21	22	23	24	25	26
K=3	A= 0.7	0.9	1.2	1.5	1.8	2.2	2.6	3.2	3.8	4.5	5.3
K=4	A= 0.7	0.9	1.1	1.4	1.8	2.1	2.5	3.0	3.5	4.4	4.9
K=5	A= 0.6	0.9	1.1	1.4	1.7	2.0	2.4	2.9	3.4	3.9	4.6
K=6	A= 0.6	0.8	1.1	1.3	1.6	2.0	2.4	2.8	3.2	3.8	4.4

#### Space needed to open the door

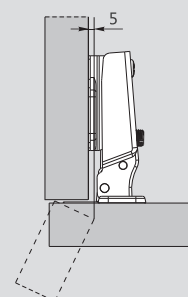


T=	16	17	18	19	20	21	22	23	24	25	26
K=3	L= 0.0	0.0	0.0	0.0	0.0	0.0	0.0	0.0	0.0	0.0	0.1
K=4	L= 0.0	0.0	0.0	0.0	0.0	0.0	0.2	0.4	0.7	0.9	1.1
K=5	L= 0.0	0.2	0.4	0.6	0.8	1.0	1.2	1.4	1.6	1.8	2.0
K=6	L= 0.9	1.2	1.4	1.6	1.8	2.0	2.2	2.4	2.6	2.8	3.0

- The above values are calculated on the assumption that the doors have square edges.
- They are reduced if the doors have radiussed edges.

#### Projection of the door

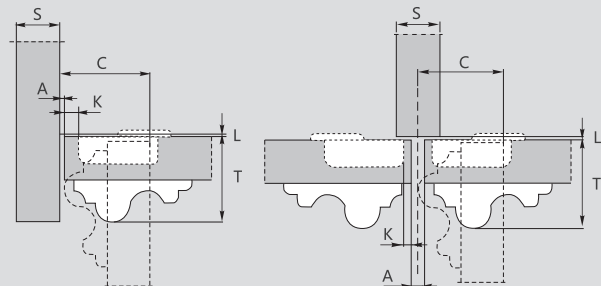
Projection of the door from the cabinet side at the max. opening. The figures are based on a straight arm hinge, H=0mm mounting plate and drilling distance (K)=3mm.



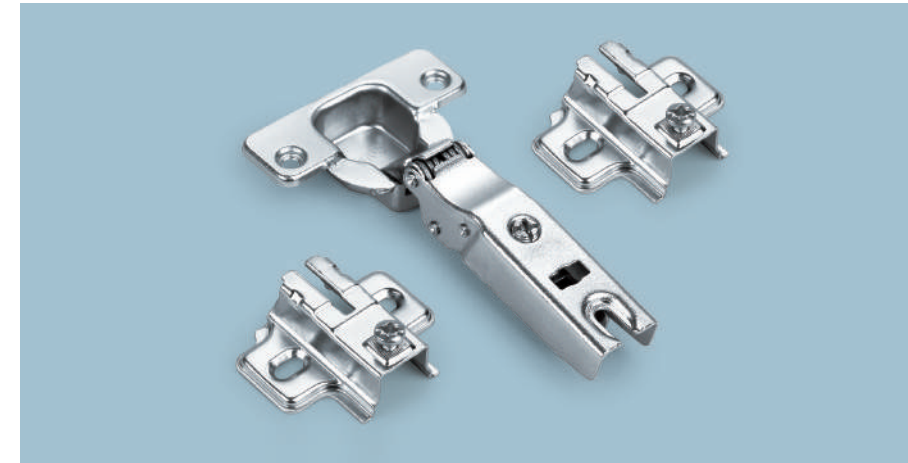
#### "C" value

$$C = 20 + K + A$$

With this formula you can obtain the max. thickness of the moulded door that can be opened without touching adjacent carcass sides, doors or walls, whilst bearing in mind the above L-K-T values.



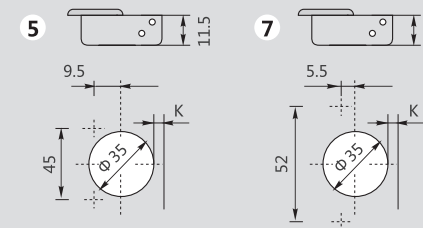
### ORDER INFORMATION



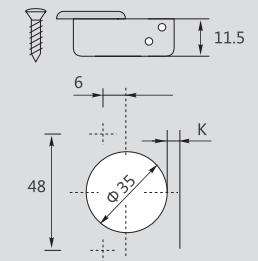
#### $\Phi$ 35mm Options of screws and dowels:

M10 dowel Dowel No: M	Expandable dowel Dowel No: T0
M8 dowel Dowel No: N	Expandable dowel Dowel No: KO
Euro screw Dowel No: B	Quick dowel Dowel No: T0

#### $\Phi$ 35mm Hinge cup types



Use these formulas to determine the type of hinge arm, the drilling distance "K" and the height of the mounting plate "H" for each door application.



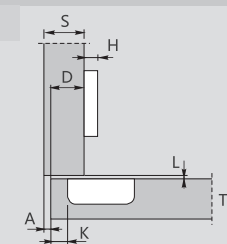
Nickel plated(A01)

#### C80 series slide-on soft close hinge 110° (two way)

##### Full overlay C=0



##### H=12+K-(D)

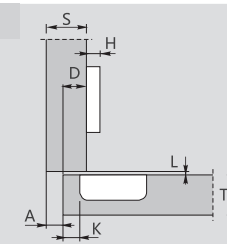


	Item No.	Pcs/ctn
Soft-close	<b>C80A276F</b>	200
Sprung	<b>C80A276</b>	200

##### Half overlay C=9



##### H=3+K-(D)

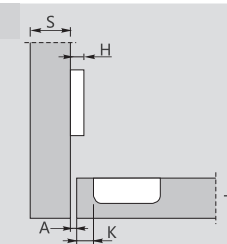


	Item No.	Pcs/ctn
Soft-close	<b>C80B276F</b>	200
Sprung	<b>C80B276</b>	200

##### Inset C=18



##### H=-6+K+(A)



	Item No.	Pcs/ctn
Soft-close	<b>C80C276F</b>	200
Sprung	<b>C80C276</b>	200



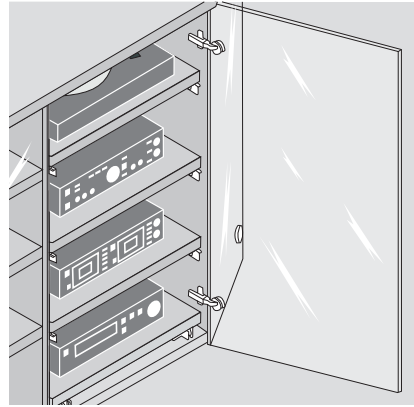
### PRODUCT



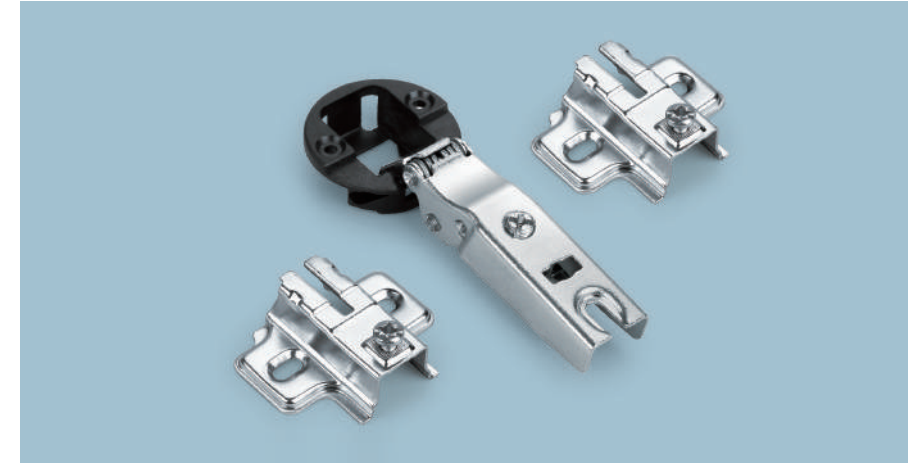
### DESCRIPTION

- Opening angle: 110°
- Depth of hinge cup: 11.5mm
- Diameter of hinge cup: 35mm
- Available glass door thickness: 4-6mm
- Possible drilling distances on the glass door(K): 3-6mm

### APPLICATION



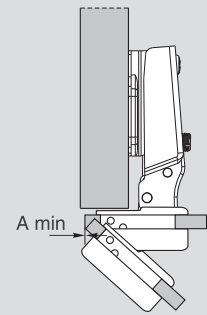
### ORDER INFORMATION



$\Phi$ 35mm Available finishes	
Chrome:	C01
Dark Chrome:	C02
Bright Silver:	C03
Silver:	C04
Satin Gold:	C05
Satin Silver:	C06
Satin Chrome:	C07
Bright Gold:	C08
Silver Grey:	C09

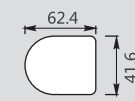
### PLANNING

#### Space needed to open the door



	T=	16	17	18	19	20	21	22	23	24	25	26
K=3	A=	0.7	0.9	1.2	1.5	1.8	2.2	2.6	3.2	3.8	4.5	5.3
K=4	A=	0.7	0.9	1.1	1.4	1.8	2.1	2.5	3.0	3.5	4.4	4.9
K=5	A=	0.6	0.9	1.1	1.4	1.7	2.0	2.4	2.9	3.4	3.9	4.6
K=6	A=	0.6	0.8	1.1	1.3	1.6	2.0	2.4	2.8	3.2	3.8	4.4

#### Options of $\Phi$ 35mm covers:



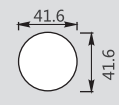
ABS oval cover

Item No.

**A2B**

Pcs/ctn

200



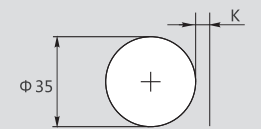
ABS round cover

Item No.

**A2C**

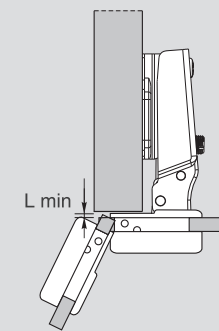
Pcs/ctn

200



Nickel plated(A01)

#### Space needed to open the door



	T=	16	17	18	19	20	21	22	23	24	25	26
K=3	L=	0.0	0.0	0.0	0.0	0.0	0.0	0.0	0.0	0.0	0.0	0.1
K=4	L=	0.0	0.0	0.0	0.0	0.0	0.0	0.2	0.4	0.7	0.9	1.1
K=5	L=	0.0	0.2	0.4	0.6	0.8	1.0	1.2	1.4	1.6	1.8	2.0
K=6	L=	0.9	1.2	1.4	1.6	1.8	2.0	2.2	2.4	2.6	2.8	3.0

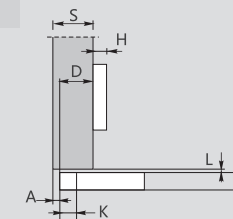
- The above values are calculated on the assumption that the doors have square edges.
- They are reduced if the doors have radiussed edges.

#### C80 series slide-on soft close glass hinge 110° (two way)

##### Full overlay C=0



##### H=12+K-(D)



Item No.

Pcs/ctn

Soft-close

**C80A270F**

200

Sprung

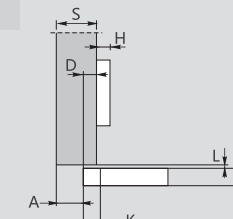
**C80A270**

200

##### Half overlay C=9



##### H=3+K-(D)



Item No.

Pcs/ctn

Soft-close

**C80B270F**

200

Sprung

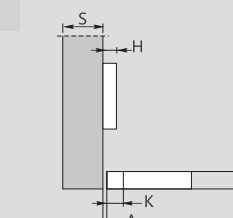
**C80B270**

200

##### Inset C=18



##### H=-6+K+(A)



Item No.

Pcs/ctn

Soft-close

**C80C270F**

200

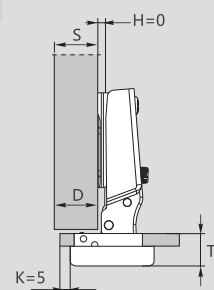
Sprung

**C80C270**

200

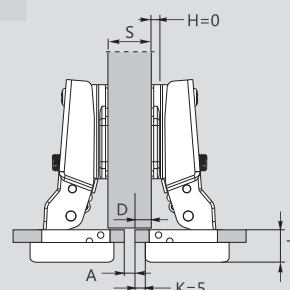
#### C=0 Application with full overlay door

D=19mm



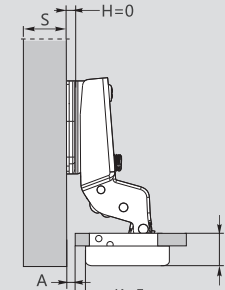
#### C=9 Application with half overlay door

D=10mm



#### C=18 Application with inset door

A=1mm





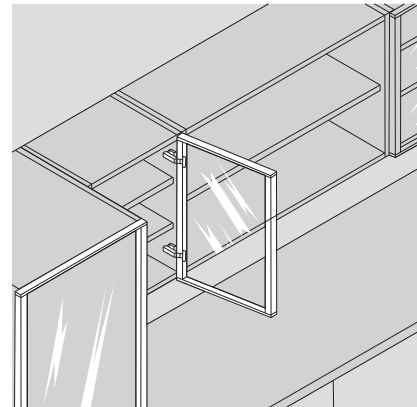
### PRODUCT



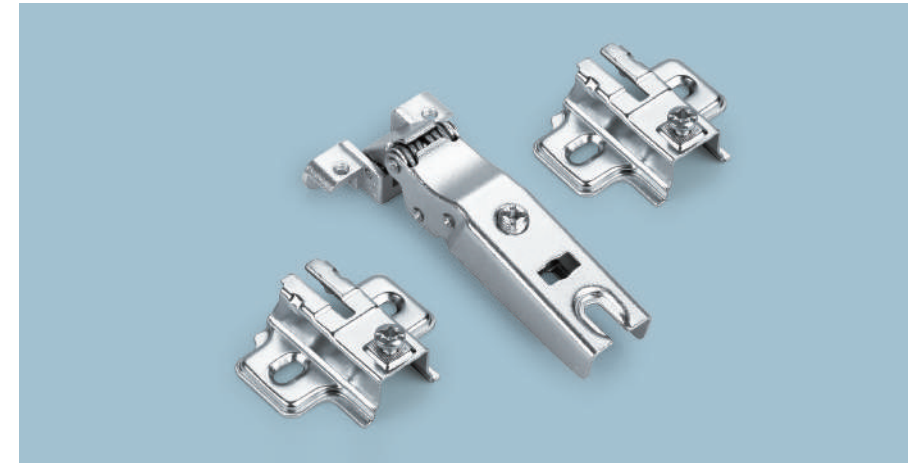
### DESCRIPTION

- Opening angle: 110°
- Drilling dimension on aluminium frame hinge head: 28mm
- Range of width of aluminium frame (V) : 19-22 mm

### APPLICATION

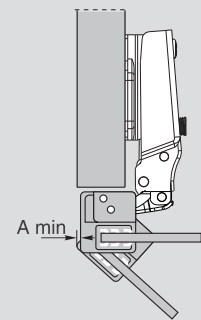


### ORDER INFORMATION



### PLANNING

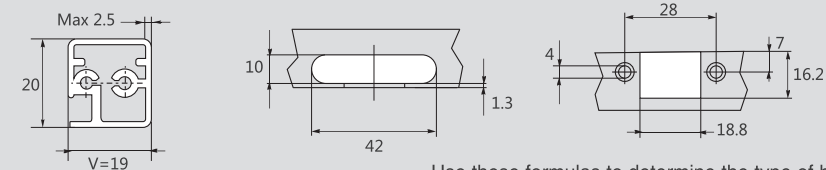
#### Space needed to open the door



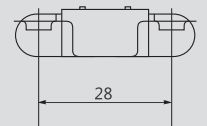
T=	16	17	18	19	20	21	22	23	24	25	26
V=19	A= 0.7	0.9	1.2	1.5	1.8	2.2	2.6	3.2	3.8	4.5	5.3
V=20	A= 0.7	0.9	1.1	1.4	1.8	2.1	2.5	3.0	3.5	4.4	4.9
V=21	A= 0.6	0.9	1.1	1.4	1.7	2.0	2.4	2.9	3.4	3.9	4.6
V=22	A= 0.6	0.8	1.1	1.3	1.6	2.0	2.4	2.8	3.2	3.8	4.4

#### Drilling dimensions on aluminium frame

V:19mm-22mm

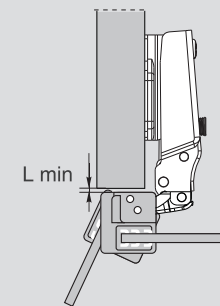


Use these formulas to determine the type of hinge arm, the drilling distance "K" and the height of the mounting plate "H" for each door application.



Nickel plated(A01)

#### Space needed to open the door



T=	16	17	18	19	20	21	22	23	24	25	26
V=19	L= 0.0	0.0	0.0	0.0	0.0	0.0	0.0	0.0	0.0	0.0	0.1
V=20	L= 0.0	0.0	0.0	0.0	0.0	0.0	0.0	0.2	0.4	0.7	1.1
V=21	L= 0.0	0.2	0.4	0.6	0.8	1.0	1.2	1.4	1.6	1.8	2.0
V=22	L= 0.9	1.2	1.4	1.6	1.8	2.0	2.2	2.4	2.6	2.8	3.0

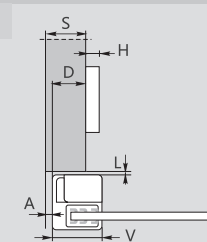
- The above values are calculated on the assumption that the doors have square edges.
- They are reduced if the doors have radiussed edges.

#### C80 series slide-on soft close al frame hinge 110° (two way)

##### Full overlay C=0



##### H=-2+V-(D)

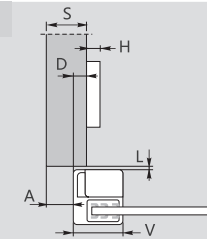


	Item No.	Pcs/ctn
Soft-close	<b>C80A278F</b>	200
Sprung	<b>C80A278</b>	200

##### Half overlay C=9



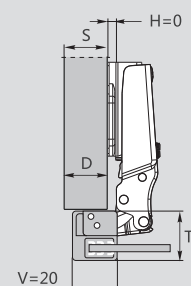
##### H=-11+V-(D)



	Item No.	Pcs/ctn
Soft-close	<b>C80B278F</b>	200
Sprung	<b>C80B278</b>	200

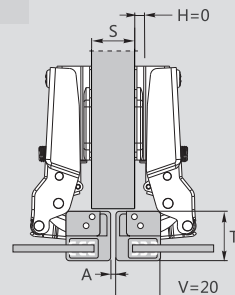
#### C=0 Application with full overlay door

D=18mm



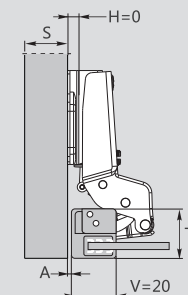
#### C=9 Application with half overlay door

D=9mm



#### C=18 Application with inset door

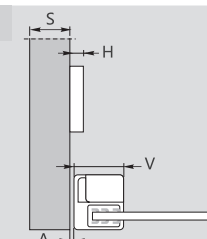
A=0.5mm



##### Inset C=18

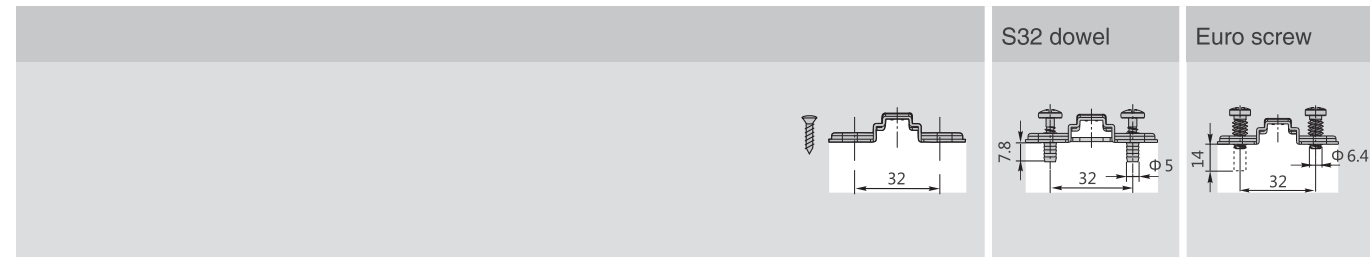


##### H=-20.5+V+(A)



	Item No.	Pcs/ctn
Soft-close	<b>C80C278F</b>	200
Sprung	<b>C80C278</b>	200

### ORDER INFORMATION



#### Two-hole mounting plate

		Pcs/ctn 200	Color Nickel plated(A01)	Height of mounting plate	Item No.	Item No.	Item No.
				H=0	89H00AQ	89H01AQ	89H02AQ
				H=2	89H20AQ	89H21AQ	89H22AQ
				H=4	89H40AQ	89H41AQ	89H42AQ
				H=9	89H90AQ	89H91AQ	89H92AQ
H=18	89H180AQ	89H181AQ	89H182AQ				

#### Four-hole mounting plate

		Pcs/ctn 200	Color Nickel plated(A01)	Height of mounting plate	Item No.		
				H=0	89H00EQ		
				H=2	89H20EQ		
				H=4	89H40EQ		
				H=9	89H90EQ		
H=18	89H180EQ						

#### Up&down cam adjustable mounting plate

		Pcs/ctn 200	Color Nickel plated(A01) Specially treated(A11)	Height of mounting plate	Item No.	Item No.	Item No.
				H=0	89T00TQ	89T01TQ	89T02TQ
				H=2	89T20TQ	89T21TQ	89T22TQ
				H=4	89T40TQ	89T41TQ	89T42TQ
				H=9	89T90TQ	89T91TQ	89T92TQ
H=18	89T180TQ	89T181TQ	89T182TQ				

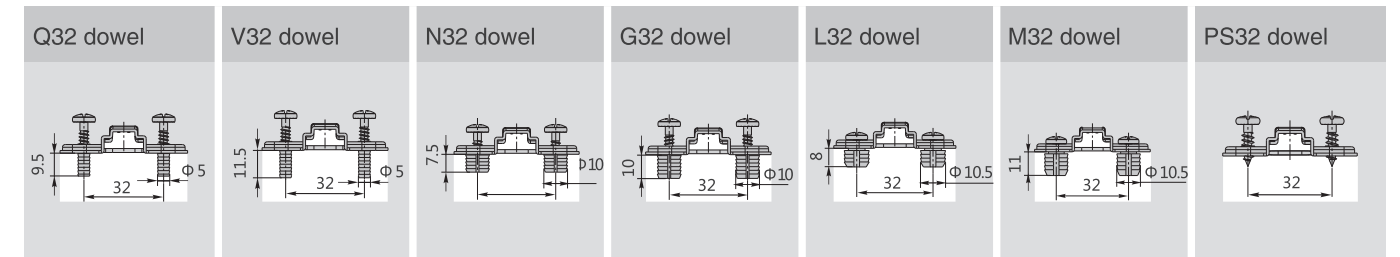
#### Up&down cam adjustable mounting plate

		Pcs/ctn 200	Color Nickel plated(A01)	Height of mounting plate	Item No.	Item No.	Item No.
				H=0	85T00TQ	85T01TQ	85T02TQ
				H=2	85T20TQ	85T21TQ	85T22TQ
				H=4	85T40TQ	85T41TQ	85T42TQ

#### In-line mounting plate

		Pcs/ctn 200	Color Nickel plated(A01)	Height of mounting plate	Item No.		
				H=2	80H20YQ		
				H=4	80H40YQ		

### ORDER INFORMATION



Item No.	Item No.	Item No.	Item No.	Item No.	Item No.	Item No.
89H0QAQ	89H04AQ	89H0NAQ	89H0GAQ	89H0LAQ	89H0MAQ	89H0PAQ
89H2QAQ	89H24AQ	89H2NAQ	89H2GAQ	89H2LAQ	89H2MAQ	89H2PAQ
89H4QAQ	89H44AQ	89H4NAQ	89H4GAQ	89H4LAQ	89H4MAQ	89H4PAQ
89H9QAQ	89H94AQ	89H9NAQ	89H9GAQ	89H9LAQ	89H9MAQ	89H9PAQ
89H18QAQ	89H184AQ	89H18NAQ	89H18GAQ	89H18LAQ	89H18MAQ	89H18PAQ

Item No.	Item No.	Item No.	Item No.	Item No.	Item No.	Item No.
89T0QTQ	89T04TQ	89T0NTQ	89T0GTQ	89T0LTQ	89T0MTQ	89T0PTQ
89T2QTQ	89T24TQ	89T2NTQ	89T2GTQ	89T2LTQ	89T2MTQ	89T2PTQ
89T4QTQ	89T44TQ	89T4NTQ	89T4GTQ	89T4LTQ	89T4MTQ	89T4PTQ
89T9QTQ	89T94TQ	89T9NTQ	89T9GTQ	89T9LTQ	89T9MTQ	89T9PTQ
89T18QTQ	89T184TQ	89T18NTQ	89T18GTQ	89T18LTQ	89T18MTQ	89T18PTQ

Item No.	Item No.	Item No.	Item No.	Item No.	Item No.	Item No.
85T0QTQ	85T04TQ	85T0NTQ	85T0GTQ	85T0LTQ	85T0MTQ	85T0PTQ
85T2QTQ	85T24TQ	85T2NTQ	85T2GTQ	85T2LTQ	85T2MTQ	85T2PTQ
85T4QTQ	85T44TQ	85T4NTQ	85T4GTQ	85T4LTQ	85T4MTQ	85T4PTQ

### ORDER INFORMATION

	S32 dowel 	Euro screw 
--	---------------	----------------

#### Mounting plate(snap-on type for frame application)

		Pcs/ctn 200	Color Nickel plated(A01)	Height of mounting plate H=1 H=3 H=6	Item No. <b>96H10JQ</b> <b>96H30JQ</b> <b>96H60JQ</b>
--	--	----------------	-----------------------------	---	--

#### Two-hole mounting plate(Slide-on type)

		Pcs/ctn 200	Color Nickel plated(A01)	Height of mounting plate H=0 H=2 H=4	Item No. <b>8000AZ</b> <b>8020AZ</b> <b>8040AZ</b>	Item No. <b>8001AZ</b> <b>8021AZ</b> <b>8041AZ</b>	Item No. <b>8002AZ</b> <b>8022AZ</b> <b>8042AZ</b>
--	--	----------------	-----------------------------	---	---	---	---

#### Decoration cover for hinge cup

	Hinge cup 52mm center	Item No. <b>G30H</b>	Pcs/ctn 3000
	Hinge cup 42/45/48mm center	Item No. <b>G10H</b>	Pcs/ctn 3000

#### Decoration cover for hinge arm

	Item No. <b>S10HH</b>	Pcs/ctn 5000
--	--------------------------	-----------------

#### Wood screw

		Item No. <b>E-140N</b>	Pcs/ctn 20000
		Item No. <b>E-160N</b>	Pcs/ctn 20000

### ORDER INFORMATION

Q32 dowel 	V32 dowel 	N32 dowel 	G32 dowel 	L32 dowel 	M32 dowel 	PS32 dowel 
---------------	---------------	---------------	---------------	---------------	---------------	----------------

--	--	--	--	--	--	--

Item No. <b>800QAZ</b>	Item No. <b>8004AZ</b>	Item No. <b>800NAZ</b>	Item No. <b>800GAZ</b>	Item No. <b>800LAZ</b>	Item No. <b>800MAZ</b>	Item No. <b>800PAZ</b>
Item No. <b>802QAZ</b>	Item No. <b>8024AZ</b>	Item No. <b>802NAZ</b>	Item No. <b>802GAZ</b>	Item No. <b>802LAZ</b>	Item No. <b>802MAZ</b>	Item No. <b>802PAZ</b>
Item No. <b>804QAZ</b>	Item No. <b>8044AZ</b>	Item No. <b>804NAZ</b>	Item No. <b>804GAZ</b>	Item No. <b>804LAZ</b>	Item No. <b>804MAZ</b>	Item No. <b>804PAZ</b>